



TRINIDAD AND TOBAGO GAZETTE

(EXTRAORDINARY)

VOL. 42

Port-of-Spain, Trinidad, Friday 14th February, 2003—Price \$1.00

No. 28

243

GRANT OF CERTIFICATES OF REGISTRATION
(Citizenship of the Republic of Trinidad and Tobago Act, 1976)

<i>Number</i>	<i>Name</i>	<i>Date</i>
10486 ...	ENOS ENOCH BROWNE ...	22nd January, 2003—(NS: 19/2/1 S. 6731)
10524 ...	SUSHILABEN BHIKHA ...	22nd January, 2003—(NS: 19/2/1 S. 13344)
10541 ...	SEWDIAL RAMDIAL ...	22nd January, 2003—(NS: 19/2/1 S. 13309)
10530 ...	ROLAND SIMEON TUDOR ...	22nd January, 2003—(NS: 19/2/1 S. 13107)
10538 ...	EILEEN JENEPHIE GRANT ...	22nd January, 2003—(NS: 19/2/1 S. 13104)

T. PERCIVAL
Permanent Secretary,
Ministry of National Security

244

GRANT OF CERTIFICATES OF REGISTRATION
(Citizenship of the Republic of Trinidad and Tobago Act, 1976)

<i>Number</i>	<i>Name</i>	<i>Date</i>
10536 ...	HAZEL-ANN C. G. ADAMS-FERNANDEZ ...	29th January, 2003—(NS: 19/2/1 S. 13077)
10542 ...	PURNIMA RAMADHAR ...	29th January, 2003—(NS: 19/2/1 S. 13128)
10544 ...	JULIET KATHLEEN WALTERS ...	29th January, 2003—(NS: 19/2/1 S. 13056)
10545 ...	EVERARD BROWNE ...	29th January, 2003—(NS: 19/2/1 S. 12887)
10546 ...	ABOObAKER MUSSA SIDAT ...	29th January, 2003—(NS: 19/2/1 S. 4871)
10547 ...	TERRY ALEXIS SCHULTZ ...	29th January, 2003—(NS: 19/2/1 S. 13203)
10551 ...	SHIRLEY PRISCA POLEON ...	30th January, 2003—(NS: 19/2/1 S. 13413)

T. PERCIVAL
Permanent Secretary,
Ministry of National Security
and Rehabilitation

245

GRANT OF CERTIFICATE OF NATURALISATION
(Citizenship of the Republic of Trinidad and Tobago Act, 1976)

<i>Number</i>	<i>Name</i>	<i>Date</i>
604 ...	YEMEN ABED-NAHOUS ...	29th January, 2003—(NS: 19/1/1 S. 637)

T. PERCIVAL
Permanent Secretary,
Ministry of National Security
and Rehabilitation

246

APPOINTMENTS, ACTING APPOINTMENTS, ETC.

THE following changes are notified for general information.

18th February, 2000.

J. ROSEMAN
Director of Personnel Administration

Appointments

Name	Appointment	Ministry/Department	Date of Appointment
Mora, Miss M.	Teacher I	Education	29th August, 1996
Rajack-Tancoo, Mrs. W.	do.	do.	do.
Rogers, Miss C.	do.	do.	6th January, 1997
James, Mrs. E.	do.	do.	do.
Swarathsingh, S.	do.	do.	do.
Regist, Miss M.	do.	do.	do.
Lawrence, M.	do.	do.	do.
De La Rossa, Miss S.	do.	do.	do.
Paul, Miss N.	do.	do.	do.
Noray-Samuel, Mrs. M.	do.	do.	do.
McBurnie Ms. S.	do.	do.	do.
Sinanan, Ms. B.	Clerk I	Social Development	20th December, 1994
Walker, J.	State Counsel I	Attorney General	6th January, 1997
Singh, K.	Leprosy Follow-up Worker	Health	30th September, 1997
Bruno, Miss A.	do.	do.	do.
Samlal, Ms. P.	Clerk I	Social Development	20th December, 1994
Jaichand, K.	do.	do.	do.
Narine, N.	do.	Finance	do.
Roberts, Ms. S.	do.	Health	do.
Hadaway, Miss J.	Laundress I	do.	30th December, 1988
Bernard, C.	Watchman	do.	30th August, 1995
Wight, G.	do.	do.	26th September, 1995
Marshall, D.	do.	do.	22nd October, 1996
Williams, E.	do.	do.	23rd November, 1996
Byer, Mrs. A. M.	Maid I	Service Commission	1st September, 1997
Henry, Miss S.	do.	Finance	do.
Sookoo, Miss M.	Teacher II	Education	29th August, 1991
Simon-Thompson, Miss C.	Special Teacher III	do.	2nd September, 1995
Rahaman, Dr. S.	Veterinary Officer	Agriculture, Land and Marine Resources	21st October, 1997
Herbert, H.	Hospital Attendant I	Health	23rd January, 1996
Gordon, K.	do.	do.	1st November, 1995
Glodon, O.	Tailor I	do.	2nd January, 1990
Griffith, L.	Hospital Attendant I	do.	4th May, 1996
Subero, F.	do.	do.	27th March, 1996
Richards, B.	do.	do.	7th March, 1996
Phillip, K.	Health Control Officer I	do.	1st June, 1994
Ramharack, R.	do.	do.	14th November, 1997
Pierre, F.	do.	do.	do.
James, S.	do.	do.	do.
Mahabir, V.	do.	do.	do.
Ramrattan, R.	do.	do.	do.
Pierre, D.	do.	do.	do.
Mohammed, M.	do.	do.	do.
John, D.	do.	do.	do.
Subero, Miss M.	do.	do.	28th October, 1994
Marquis, I.	do.	do.	do.
Khan, S.	do.	do.	16th December, 1994
Deonarine, S.	do.	do.	14th November, 1997
Mohammed, S.	do.	do.	do.
Libert, Ms. A. M.	Maid I	Local Government	1st December, 1994
Surzano, Mrs. R.	do.	Health	do.
Rudder, Miss G.	do.	do.	1st April, 1997
Pontiflette, Ms. P.	do.	do.	do.

246—Continued

Appointments—Continued

Name	Appointment	Ministry/Department	Date of Appointment
Bruce, Miss J.	Maid I	Local Government	1st September, 1997
Drayton, Ms. D.	do.	Agriculture, Land and Marine Resources	do.
Morrison, Mrs. V.	do.	Health	do.
Charles, Miss J.	do.	Planning and Development	do.
Durity, Mrs. A. M.	do.	Agriculture, Land and Marine Resources	do.
Sylvester, Ms. A.	do.	Health	do.
Williams, Miss A.	do.	do.	do.
Lewis, Mrs. J.	Printing Operator I	Attorney General	4th November, 1997
Spencer, Mrs. W.	Maid II	Parliament	1st September, 1997
Ross, Miss J.	Maid I	Health	1st April, 1997
Sylvester, Mrs. U.	do.	Personnel	20th September, 1995
Cooper, N.	Works Supervisor I	Works and Transport	21st November, 1997
Pierre, F.	do.	do.	do.
Badhal, V.	do.	do.	do.
Siewnarine, A.	do.	do.	do.
Smith, C.	do.	do.	do.
Alexander, M.	do.	do.	do.
Superville, D.	do.	do.	do.
Voisin, R.	do.	do.	do.
Meade, C.	do.	do.	do.
Dell, J.	do.	do.	do.
Gopaulsingh, J.	do.	do.	do.
Phillips, H.	Engineering Assistant III	do.	10th October, 1993
Nowbut, Miss C.	Teacher II	Education	28th August, 1988
Mohammed-Ramsingh, Mrs. J.	do.	do.	1st September, 1988
Ali, Miss S.	do.	do.	7th January, 1985
Khan-Bhagaloo, Mrs. H.	Clerk I	Health	14th November, 1997
Pelchier, M.	do.	Works and Transport	do.
Grant, L.	Works Supervisor I	do.	21st November, 1997
Chandoo, Mrs. U.	Clerk I	Finance	14th November, 1997
Ramnanan, D.	Cleaner/Watchman	Local Government	7th April, 1998
Pascal, O.	Road Surfacing Foreman	Works and Transport	4th March, 1995
Lalchan-Vine, M.	Agricultural Technical Aide	Agriculture, Land and Marine Resources	13th December, 1997
Trotman-Leach, Mrs. P.	Nurse	Tobago House of Assembly	1st September, 1974
Rudder, M.	Petroleum Engineer I/II	Energy and Energy Industries	22nd December, 1997
Sharma, Miss R.	State Counsel I	Attorney General	24th November, 1997
Dookeram, W.	School Laboratory Equipment Superintendent	Education	7th September, 1970
King, Miss J.	Teacher I	do.	6th January, 1997
Als, Miss S.	do.	do.	28th August, 1997
Gibbs, H.	do.	do.	do.
Bishop, Mrs. A. M.	do.	do.	29th August, 1996
Phillips, Miss C.	do.	do.	28th August, 1997
Lewis, C.	do.	do.	do.
Benoit, Miss C.	do.	do.	do.
Cox-McPherson, Mrs. L.	do.	do.	do.
Jack, Miss M.	do.	do.	do.
Arthur-Chance, Mrs. G.	do.	do.	do.
Lashley, Miss L.	do.	do.	do.
Joseph-Bruce, Mrs. A.	do.	do.	do.
Kerr, O.	do.	do.	do.
Molligan, Miss A.	Medical Orderly (Cancelled)	Health	22nd August, 1995
Toby-Quashie, Mrs. D.	Audit Examiner Assistant I	Auditor General	21st July, 1997
Duncan, Miss, C.	Maid I	Health	1st September, 1997
Coggins, Ms. D.	Clerk I	Social Development	20th December, 1994
Emanuel, Miss Y.	State Counsel I	Attorney General	17th December, 1997
Bradshaw, Miss P.	Petroleum Engineer I/II	Energy and Energy Industries	18th December, 1997

246—Continued

APPOINTMENTS, ACTING APPOINTMENTS, ETC.—CONTINUED

Confirmation of Appointments

Name	Appointment	Ministry/Department	Date of Appointment
Charles, T.	Works Supervisor I	Local Government	18th December, 1992
Payne, E.	Messenger I	Housing and Settlement	1st November, 1965
Allard, Mrs. C.	Vice-Principal II	Education	4th December, 1996
London-Mapp, Mrs. A.	Cleaner I	Health	17th December, 1996
Charles, E. B.	Forest Ranger II	Agriculture, Land and Marine Resources	2nd August, 1996
Mahabir, R.	Teacher I	Education	9th January, 1995
Seunath, M.	do.	do.	1st September, 1994
Katwaroo, S.	do.	do.	1st September, 1995
Lutchman-Maraj, Mrs. N.	do.	do.	do.
Williams, Mrs. C.	Nurse	Health	31st January, 1990
Ramkhelawan-Jagroop, Mrs. S.	Clerk I	Education	31st December, 1991
Sandy-Samuel, Mrs. M.	Cook I	Tobago House of Assembly	20th December, 1991
Taitt, Miss A.	Teacher I	Education	29th August, 1991
Prescott, C.	Assistant Divisional Fire Officer	National Security	1st July, 1995
Quash, A.	Assistant Chief Fire Officer	do.	28th April, 1997
Lazar-Baptiste Mrs. G.	Laboratory Assistant I	Education	1st January, 1990
Murray, H.	Teacher II	do.	20th October, 1989
Sammy-Pierre, Mrs. L.	do.	do.	3rd September, 1992
George, Miss D.	do.	do.	20th August, 1990
Kitson, Miss C.	do.	do.	1st September, 1988
Noel, Miss M.	Special Teacher III	do.	5th January, 1990
Young, Miss R.	Teacher I	do.	1st September, 1995
Wilson, W.	No. 6784 Estate Constable	Agriculture, Land Marine Resources	15th June, 1984
McCarthy, R.	Immigration Officer II	National Security	30th November, 1995
Baird, E.	Immigration Officer I	do.	1st April, 1990
Joseph, P.	Deck Hand	do.	3rd August, 1985
Mohammed-Persad, F.	Clerk of the Peace II	Judiciary/Magistracy	1st February, 1996
Cummings, F.	Co-operative Officer I	Labour and Co-operatives	8th August, 1995
Superville, Ms. M.	Best Village Officer I	Community Development, Culture and Women's Affairs	9th February, 1981
Maharaj A.	Inspector, Prices, Weights and Measures	Consumer Affairs	20th December, 1993
Richardson R.	Director of Schools Supervision	Education	2nd August, 1994
Clemendore, Ms. M.	Teacher I	do.	1st September, 1994
Seepersad, H.	Clerk of the Peace II	Judiciary/Magistracy	3rd June, 1996
Charles, N.	Vice-Principal I... ..	Education	10th November, 1993
Charles, D.	Hospital Attendant I	Health	8th March, 1995
Rennie-Wharton, Mrs. E.	Wardmaid	do.	17th March, 1995
Peters, J.	do.	do.	14th August, 1995
Fletcher-Smith, Mrs. D.	do.	do.	19th January, 1996
Bedessie, Miss D.	do.	do.	30th November, 1995
McDonald, S.	Messenger I	Finance	8th February, 1996
Kennedy, L.	Stores Attendant	Health	1st April, 1995
Guisseppi, M.	Assistant Commissioner of Police	National Security	2nd June, 1997
Rampersad, I	Soil Scientist	Agriculture, Land and Marine Resources	8th July, 1996
Layne, J.	Youth Camp Assistant Director	Education	2nd January, 1990
Shade, R.	Bailiff I	Tax Appeal Board	21st October, 1996
Inniss, McD.	Vault Attendant I	Finance	2nd December, 1991
Samuel, M.	Messenger I	Integrity Commission	17th December, 1993
Agaratt, Ms. L.	Maid I	Health	4th January, 1994
Agaratt, Ms. L.	Wardmaid	do.	17th March, 1995
Fraser, G.	Groundsman	Education	31st December, 1988
Beharry, J.	Caretaker	Health	17th December, 1993
David, N.	Baliff II	Judiciary/Supreme Court	2nd October, 1995
Constantine, P.	Environmental Sanitation Patrolman	Local Government	12th February, 1990
Jagdeo, I.	Transport Foreman II	Works and Transport	25th February, 1997

246—Continued

Confirmation of Appointments—Continued

Name	Appointment	Ministry/Department	Date of Appointment
Ramlakhan, R.	Groundsman	Education	31st December, 1988
Wyse, Miss S.	Clerk I	Works and Transport	29th December, 1992
Sebro-Balfour, Mrs. E.	Search Clerk I	CAST	1st January, 1986
Ramnarine, R.	Anti Rabies Assistant I	Agriculture, Land and Marine Resources	25th October, 1995
Phillips, Mrs. G.	Vault Attendant I	Tobago House of Assembly	1st November, 1994
Sebastien, Miss E.	Printing Operator II	Public Utilities	5th November, 1996
Antoine-Smith, Mrs. C.	do.	do.	do.
McConney, Miss J.	do.	do.	do.
Charles-Cayonnes Mrs. L.	do.	do.	do.
Dookeram, W.	School Laboratory Equipment Superintendent	Education	7th September, 1970
Basheer, Mrs. S.	Public Relations/Conference Officer	Trade and Industry	1st January, 1995
Ramlakhan, S.	Inspector, Prices, Weights and Measures	do.	1st January, 1994
Baptiste, Mrs. B.	Youth Officer I	Sports and Youth Affairs	2nd January, 1994
Elder, E.	Trade Instructor	Education	13th August, 1992
Hosein, S.	Teacher I	do.	1st September, 1995
Caesar, Miss C.	do.	do.	do.
Des Vignes-Clarke Mrs. M.	Vault Attendant I	CAST	1st November, 1994
Wason, Mrs. A.	Records Manager II	Attorney General	18th June, 1996
Matthew, Ms. P.	Executive Secretary	Office of the Prime Minister	1st December, 1989
Badal, Mrs. R.	do.	Finance	do.
McClean, Mrs. C.	do.	Foreign Affairs	20th December, 1994
Noel, Mrs. C.	Clerk I	Election and Boundaries	1st October, 1989
Linton, E.	Roads Supervisor	Works and Transport	9th October, 1993
Bruno-Andrews, Mrs. G.	Wardmaid	Health	3rd February, 1984
Harper, C.	Draughtsman II	Agriculture, Land and Marine Resources	29th December, 1992
Sankar, D.	Scientific Officer I	National Security	11th September, 1995
Moon, S.	Boiler Operator I	Health	2nd January, 1992
Graham, R.	Bailiff II	Judiciary/Magistracy	2nd April, 1997
Balkaran, R.	Bailiff I	Judiciary/Supreme Court	15th November, 1988
Bennett, Miss J.	Vault Attendant I	Tobago House of Assembly	2nd December, 1991
Webb, G.	do.	Judiciary/Supreme Court	1st November, 1994
Clarke, D.	Mail Loader	Public Utilities	20th April, 1995
James, Mrs. U.	Laundress II	Tobago House of Assembly	29th December, 1989
John, Mrs. R.	Wardmaid	Health	21st July, 1995
Adams, Mrs. S.	Vault Attendant I	Local Government	25th January, 1995
Daniel, J.	do.	Judiciary/Supreme Court	1st November, 1994
Batson, B.	do.	Legal Affairs	do.
Risbrooke, R.	do.	Planning and Development	do.
Mendoza, W.	do.	Finance	do.
Davis, G.	Clerk I	do.	31st December, 1991
Campbell, Miss L.	Teacher I	Education	1st September, 1995
Matheson, P.	do.	do.	do.
Sealey, Ms. G.	Wardmaid	Health	10th April, 1996
Beekam, Miss A.	Agricultural Officer I	Agriculture, Land and Marine Resources	8th July, 1997
Sahadath, Miss C.	do.	do.	do.
Rampaul-Donowa, Mrs. L.	do.	do.	do.
John, D.	do.	do.	do.
Reyes, Mrs. T.	Chief Personnel Officer	Personnel Department	1st November, 1994
Ambrose, R.	Training Officer III	do.	3rd January, 1997
Mark, Mrs. V.	Accounting Assistant	Education	31st December, 1989
Andrews, V.	Foreign Service Executive Officer II	Foreign Affairs	13th April, 1993
Wattley, L.	Foreign Service Officer V	do.	22nd September, 1996
Khan-Serville, Mrs. Z. (deceased)	Clerk/Typist I	Local Government	1st November, 1989
Joseph-Patrick, Mrs. A.	Clerk I	Finance	20th December, 1994

246—Continued

APPOINTMENTS, ACTING APPOINTMENTS, ETC.—CONTINUED

Confirmation of Appointments—Continued

Name	Appointment	Ministry/Department	Date of Appointment
Baptiste-Mitchell, Mrs. S.	Clerk II	Education	20th December, 1994
Sampson, Mrs. H.	do.	Social and Community Development	29th December, 1992
Ali-Khan, Mrs. S.	Clerk I	Finance	22nd November, 1985
Manhodh, Miss V.	do.	Works and Transport	20th December, 1994
Goliath, Miss J.	do.	do.	do.
Rohitsingh-Sookdeo, Mrs. U.	Clerk II	do.	30th December, 1991
Mohammed, Miss Y.	Field Auditor III	Finance	18th October, 1995
Bhimull, Mrs. S.	Personnel and Industrial Relations Officer I	Works and Transport	23rd February, 1996
Mitchell, Miss D.	Estate Constable	Health	20th December, 1994
Sadera, K.	Postman II	Public Utilities	1st January, 1997
Myers, Ms. A.	Accountant II	Sport and Youth Affairs	20th December, 1994
Noel-Rodriguez, Mrs. J.	Clerk I	Statutory Authorities' Service Commission	4th January, 1993
Lobai, P.	Clerk IV	Health	15th December, 1992
Ramdeo, S.	Chauffeur/Messenger	Planning and Development	15th December, 1995
Beharry, Mrs. S.	Vice-Principal I	Education	20th May, 1997
Rambally, K.	Principal I	do.	12th April, 1994
Ramsook, Mrs. C.	do.	do.	13th December, 1995
Brathwaite, Ms. E.	Assistant Superintendent of Police	National Security	23rd December, 1996
Irish, I.	do.	do.	30th November, 1995
Sahatoo-Ramdath, Mrs. V.	Scientific Assistant I	Health	20th December, 1994
Sebro, W.	Motor Vehicle Driver	Public Administration and Information	15th December, 1995
Gray, J.	do.	Works and Transport	do.
Pierre, B.	Messenger I	Finance	17th December, 1993
Thomas, P.	do.	Health	do.
Skeete, K.	Hospital Attendant II	do.	1st December, 1996
Reefer, Miss P.	Hospital Attendant I	do.	21st March, 1993
Leith, Ms. J.	Caretaker	do.	17th December, 1993
Leith, Ms. J.	Wardmaid	do.	17th March, 1995
Trotman-Leach, Mrs. P.	Nurse	Tobago House of Assembly	1st September, 1974
Wason, Mrs. A.	Records Manager II	Attorney General	18th June, 1996
Nero, E.	Search Clerk II	Legal Affairs	17th June, 1996
Hosein, S.	Teacher I	Education	1st September, 1995
Stewart, D.	Superintendent of Prisons	National Security	23rd June, 1995
Codrington, Mrs. E.	Attendant	Elections and Boundaries Commission	1st January, 1990
Bourne, Mrs. R.	Wardmaid	Health	30th December, 1988
Murray, Miss M.	do.	do.	27th December, 1990
Mohammed, Mrs. S.	Teacher I	Education	1st September, 1994
Lashley, Miss J.	Wardmaid	Health	27th December, 1990
Hughes, Miss E.	do.	do.	30th December, 1983
Davis, Mrs. D.	Desk Officer II	National Security	15th December, 1995
Le Blanc, Mrs. C.	do.	do.	17th January, 1994
Jagessar, L.	Draughtsman II	Works and Transport	29th December, 1992
Arthur, Miss Y.	Clerk Typist I	Legal Affairs	20th December, 1994
Douglas, A.	Former Office of Works Supervisor II	Tobago House of Assembly	29th December, 1987
Douglas, A.	Works Supervisor III	do.	25th October, 1996
Staple, Miss L. A.	Clerk I	Education	20th December, 1994
Seebalack, Miss M.	Teacher I	do.	1st September, 1995
Boodoosingh, R.	State Counsel II	Attorney General	8th July, 1996
Gaspard, R.	State Counsel I	do.	3rd August, 1994
Alert, Miss M.	State Counsel III	do.	1st July, 1996
Motilal, Miss V.	Clerk I	Labour and Co-operatives	20th December, 1994
Jugmohan, Miss S.	do.	Local Government	do.
Hercules, Miss M.	Clerk II	Community Development, Culture and Women's Affairs	30th December, 1991

246—Continued

Confirmation of Appointments—Continued

Name	Appointment	Ministry/Department	Date of Appointment
Joseph, A.	Clerk I	Local Government	20th December, 1994
Beckles, Mrs. M.	Postal Officer II	Central Administrative Services, Tobago	9th October, 1995
Leith, Mrs. F.	Postal Officer III	do.	1st May, 1995
Butler, Mrs. D.	Teacher I	Education	1st September, 1994
Doon, R.	School Farm Attendant	do.	1st January, 1985
Henderson, G.	Senior State Counsel	Attorney General	1st May, 1996
Debideen, Miss C.	Clerk I	Education	31st December, 1991
Joseph-Williams, Mrs. M.	Clerk Stenographer I (former office of Clerk Typist I)	National Security	1st December, 1978
Dipchandsingh, D.	Forester I	Agriculture, Land and Marine Resources	2nd January, 1995
Ramlal, D.	Assistant Conservator of Forests	do.	27th August, 1996
Bachan, Mrs. P.	Accounting Assistant	Works and Transport	15th December, 1995
Felix, Miss J.	Clerk I	Education	30th December, 1991
Placide, L.	Foreign Service Officer II	Foreign Affairs	14th December, 1993
Seaton, D.	Messenger II	Office of the Prime Minister	29th December, 1992
Byam, P.	Foreign Service Officer	Foreign Affairs	1st June, 1993
Lewis, Mrs. N.	Wardmaid	Health	1st November, 1997
Winter, Ms. P.	Estate Constable	do.	20th December, 1994
Williams, N.	Teacher II	Education	1st September, 1989
Kawal, Mrs. M.	do.	do.	27th November, 1985
Balbir, R.	Cleaner/Watchman	Local Government	21st October, 1993
Duncan, D.	Handyman	Community Development, Culture and Women's Affairs	5th July, 1990
James, Mrs. B.	Printing Operator II (Former Office of Printing Operator I)	Public Utilities	16th June, 1991
Taylor, Mrs. M.	Vice-Principal I	Education	22nd March, 1995
Warner, C.	Senior Magistrate	Judiciary/Magistracy	29th November, 1995
Jeremie, Miss D.	Senior State Solicitor	Attorney General	do.
Kabeera, N.	Clerk I	Works and Transport	20th December, 1994
George-Coy, Mrs. E.	Clerk Typist I	Finance	8th November, 1983
Rabathaly, S.	Estate Assistant Superintendent	Health	1st November, 1996
Richins, Miss A.	Wardmaid	do.	17th March, 1995
Beepath, Ms. T.	do.	do.	do.
Walcott-Marshall, Mrs. Y.	do.	do.	do.
Williams-Headley, Mrs. I	do.	do.	do.
Rosales, Miss E.	do.	do.	do.
Sooklalsingh-Neemah, Mrs. R.	do.	do.	do.
Robinson, Miss S.	do.	do.	do.
Persad, P.	Motor Vehicle Driver	do.	15th December, 1995
Alimayn, Mrs. H.	Accountant I	Works and Transport	do.
Beache, Miss I.	Youth Officer I	Tobago House of Assembly	1st January, 1990
Bremnor, Miss A.	Clerk I	do.	29th December, 1992
Boodram, Miss I	Clerk II	National Security	do.
Ramroop, R.	Clerk I	Agriculture, Land and Marine Resources	30th December, 1991
Winchester, K.	do.	Tobago House of Assembly	29th December, 1992
Lewis, Mrs. N.	Wardmaid	Health	1st November, 1997
Solomon-Kerr, Mrs. A.	Co-operative Officer I	Labour and Co-operatives	4th January, 1993
Batson, Miss M.	Assistant Medical Laboratory Technician	Health	4th September, 1979
Batson, Miss M.	Medical Laboratory Technician	do.	25th January, 1991
Garraway, Mrs. M.	Wardmaid	do.	17th March, 1995
Baptiste, Miss T.	do.	do.	30th November, 1995
Campbell-Samuel, Mrs. H.	do.	do.	17th March, 1995
Prescod, Mrs. I	do.	do.	do.
Steeple-Joseph, Mrs. D.	do.	do.	do.
Phillip, Ms. Y.	do.	do.	do.
Ahyee, Miss A.	do.	do.	do.
Welch, Miss G.	do.	do.	do.
Boucher-Snaggs, Mrs. E.	do.	do.	do.

246—Continued

APPOINTMENTS, ACTING APPOINTMENTS, ETC.—CONTINUED

Confirmation of Appointments—Continued

Name	Appointment	Ministry/Department	Date of Appointment
Dempster, Miss E.	Wardsmaid	Health	29th May, 1995
Basdeo, Miss S.	Teacher I	Education	1st September, 1995
McSween, Miss C.	Printing Operator II	Public Utilities	5th November, 1996
Gomez, Mrs. A.	do.	do.	do.
Reynos, Mrs. R.	do.	do.	do.
Clement, Mrs. E.	do.	do.	do.
Squires, Miss E.	do.	do.	do.
Daniel, Mrs. J.	do.	do.	do.
Thomas, Miss C. A.	do.	do.	do.
Rosemain, Miss J.	do.	do.	do.
Thomas, R.	Estate Constable	National Security	20th December, 1994
Teelucksingh, Miss M.	Scientific Assistant I	Health	do.
Brown, F.	Motor Vehicle Driver	do.	15th December, 1995
Devenish, Mrs. D.	Teacher I	Education	29th August, 1991
Ramkumar, N. C.	do.	do.	30th August, 1990
Bridgelal, R.	Draughtsman III	Planning and Development	2nd July, 1995
Seaton, D.	Messenger II	Office of the Prime Minister	29th December, 1992
Seaton, D.	Messenger I	do.	1st June, 1970
Persad, Miss I.	Clerk II	Works and Transport	1st October, 1989
Ramawadh, Miss S.	Clerk I	Local Government	do. (amended)
Williams-Reid, Mrs. M.	Wardsmaid	Health	31st October, 1995
Alleyne, Ms. J.	do.	do.	1st July, 1996
McMillan, O.	Teacher I	Education	3rd September, 1992
Jones, R.	Principal	Health	10th December, 1993
Balfour, D.	Teacher I	Education	3rd September, 1992
Patasar, Mrs. R.	Principal I	do.	18th September, 1996
Browne, J.	Hospital Attendant I	Health	1st May, 1974
Gairy, Ms. A.	Wardsmaid	do.	1st June, 1970
Walker, C.	Works Supervisor I	Works and Transport	18th December, 1992
Haniff, M.	Hospital Attendant I	Health	1st January, 1992
Ramnarine, D.	Motor Vehicle Driver	Works and Transport	15th December, 1995

Transfers

Name	Rank of Officer	From	To	Date
Bereaux-Pantin, Mrs. Y	Teacher I	Eastern Girls Government Primary	St. Joseph Government Primary	28th August, 1997
Nowbut, Miss C.	Teacher II	Union/Claxton Bay Senior Comprehensive	Lakshmi Girls Hindu College	do.
Ali, Miss S.	do.	Carapichaima Senior Comprehensive	St. Augustine Senior Comprehensive	21st September, 1989
Khan, G.	Teacher I	Laventille Boys Government Primary	Mt. Pleasant Government Primary	3rd November, 1997
Skerritt, Mrs. C.	Administrative Officer II	Planning and Development	Social Development...	22nd May, 1998
Ram, R.	Teacher II	Carapichaima Junior Secondary	San Fernando Technical Institute	28th August, 1997
Mangaroo-Babooram, Mrs. K.	do.	Siparia Senior Comprehensive	Pleasantville Senior Comprehensive	do.
Yearwood, Mrs. H	Office Attendant	Planning and Development	Finance	30th January, 1997
Murray, Miss M.	Wardsmaid	Health	Tobago House of Assembly	11th April, 1994
Soverall, H.	Personnel Relations Officer II	Civil Service	Judicial and Legal Services (Registrar/Industrial Court)	17th November, 1997
Gibbs, H.	Teacher I	Des Vignes Road Government Primary	Scarborough R.C. Primary	4th September, 1997
Ramtahal, M.	do.	Waterloo SDMS Primary ...	St. Helena SDMS Primary	4th June, 1998

246—Continued

Transfers—Continued

Name	Rank of Officer	From	To	Date
Paul-Yearwood Mrs. P. ...	Messenger I ...	Consumer Affairs ...	National Security ...	1st October, 1997
Ramroop, Mrs. R. ...	Clerk IV ...	Works and Transport ...	Local Government ...	1st September, 1998
Toussaint, Miss F. A. ...	Teacher I ...	St. Michael's A.C. Primary	St. Mary's A.C. Primary	3rd January 1994
Alexander, Miss P. ...	do. ...	Williamsville Junior Secondary	Bethlehem Girls R.C. Primary	10th January, 1996
Ramsaran, G. ...	Teacher II ...	San Juan Secondary	Tranquillity Government Secondary	9th September 1994
Williams-Henry, Mrs. G.	Clerk I ...	National Security ...	Service Commissions Department	1st November, 1997
Saunders-Horsford, Mrs. P.	Teacher I ...	North Trace Government Primary	Webb Memorial Baptist Primary	28th August, 1997
Alleyne, Miss G. ...	do. ...	San Fernando Methodist Primary	Moulton Hall Methodist Primary	29th September, 1997
Ramsey, H. ...	Messenger I ...	Health ...	Finance ...	20th December, 1994
Williams-McKay, Mrs. D.	do. ...	do. ...	do. ...	17th December, 1993
Ramkissoon, B. ...	do. ...	Judiciary/Magistracy ...	Judiciary/Supreme Court	1st June, 1995
Solomon, Miss V. ...	do. ...	Trade and Industry ...	Finance ...	26th October, 1995
Ramcharan, Ms. F. ...	do. ...	Local Government ...	Agriculture, Land and Marine Resources	12th August, 1995
Roopnarine, Miss. B. ...	Teacher I ...	Palo Seco Government Primary	Clarke Rochard Government Primary	29th August, 1996
Rajcoomar, G. ...	do. ...	Piccadilly Government Primary	Dow Village Government Primary	do.
Lewis, Mrs. T. ...	Clerk Stenographer IV ...	Agriculture, Land and Marine Resources	Sport and Youth Affairs	1st October, 1997
Samuel, W. ...	Messenger I ...	Community Development, Culture and Women's Affairs	Judiciary/Magistracy ...	27th March, 1995
Cadogan, Miss F. ...	Teacher I ...	Moulton Hall Methodist Primary	San Fernando Methodist Primary	29th September, 1997
Ramdeen, Ms. S. ...	Clerk III ...	Statutory Authorities' Service Commission	Education ...	7th November, 1997
Chankadyal, Ms. R. ...	do. ...	Labour and Co-operatives	Health ...	do.
Staple, Miss M. ...	Telephone Operator I ...	Education ...	National Security ...	6th December, 1997
Sangster-Sullivan, Mrs. I	Maid I ...	Community, Development, Culture and Women's Affairs	Attorney General ...	1st November, 1997
Libert, Ms. A. M. ...	do. ...	Agriculture, Land and Marine Resources	Local Government ...	do.

Left the Service

Name	Rank of Officer	Ministry/Department	Date	Reasons
Hamilton F. ...	Storekeeper I ...	Agriculture, Land and Marine Resources	5th August, 1997 ...	Retired
Dwarika-Baptiste, Mrs. P.	Head Nurse ...	Health ...	1st January, 1996 ...	do.
Ogir ...	Police Corporal (No. 11545)	National Security ...	24th June, 1997 ...	Abandoned
Persad ...	Police Sergeant (No. 7106)	do. ...	5th September, 1997 ...	Retired
Williams, Miss J. ...	Teacher I ...	Education ...	6th January, 1997 ...	do.
Mohammed ...	Fire Sub Station Officer (No. 1125)	National Security... ..	1st July, 1996 ...	Abandoned
Clarence-Parris, Mrs. G.	Clerk I ...	Works and Transport ...	21st October, 1997 ...	Retired
Alvarez, C. ...	Postman Inspector II ...	Public Utilities ...	27th October, 1997 ...	do.
Tan, Sr. J. ...	Principal II ...	Education ...	15th October, 1999 ...	do.
Seepersad, R. ...	Orthopaedic Appliance Technician I	Health ...	2nd September, 1996 ...	do.
Noel, Mrs. M. ...	Clerk I ...	Legal Affairs ...	26th February, 1997 ...	Abandoned
Inniss, V. ...	Hospital Equipment Supervisor I	Health ...	3rd May, 1997 ...	Retired

246—Continued

APPOINTMENTS, ACTING APPOINTMENTS, ETC.—CONTINUED

Left the Service—Continued

Name	Office	Ministry/Department	Date	Reasons
Solomon, Miss P.	Verbatim Reporter	Industrial Court	1st October, 1997	Retired
Bhaggan, R.	Student Pharmacist II	Health	12th June, 1996	Resigned
Williams, M.	Building Supervisor	Works and Transport	20th September, 1997	Retired
Villaruela, Mrs. M.	Cleaner I	Education	18th February, 1997	do.
Rose, C.	do.	do.	26th April, 1996	do.
Edwards-Pierre, Mrs. G.	Wardsmaid	Health	1st December, 1996	do.
Baptiste, D.	Hospital Attendant I	do.	18th February, 1992	Resigned
Cambridge, O.	Teacher I	Education	3rd November, 1997	Retired
McLean, Miss C.	Messenger I	Local Government	29th September, 1997	do.
Jenkins, Mrs. B.	Teacher II	Education	28th August, 1997	do.
Yeates, E.	Permanent Secretary	Local Government	2nd October, 1997	do.
Hull	Police Constable (No. 12126)	National Security	2nd June, 1993	Abandoned
Christopher, H.	Principal II	Education	28th September, 1997	Retired
Bahal, Miss V.	Teacher I	do.	28th August, 1997	do.
Griffith, Mrs. J.	do.	do.	3rd November, 1997	do.
Greenidge, K.	Building Supervisor	Works and Transport	8th November, 1997	do.
Alexander, Ms. E. P.	Cleaner I	Health	1st November, 1997	do.
Baldeosingh, R.	Youth Camp Assistant Director	Education	21st March, 1997	Abandoned
Panchoo, Ms. J.	Teacher I	do.	19th November, 1997	Retired
Wilba, Mrs. J.	Administrative Officer IV	Health	17th November, 1997	do.
La Rosa Charles, Mrs. A.	Nurse	do.	20th November, 1997	do.
Dabideen, Miss G.	Clerk I	Planning and Development	12th July, 1997	do.
Dass, S.	Teacher II	Education	2nd September, 1997	do.
Baboolal, K.	Postman Inspector I	Public Utilities	26th October, 1997	do.
Nash, Miss G.	Cleaner I	Office of the Prime Minister	12th November, 1997	do.
Chaitoo, B.	Motor Vehicle Driver	Health	17th March, 1997	do.
James, N.	Chauffeur I	do.	10th November, 1997	do.
Churkoo, B.	Motor Vehicle Driver	Education	8th January, 1997	do.
Murray, M.	Teacher I	do.	7th April, 1997	Resigned
Hosanny, H.	Works Supervisor I	Works and Transport	22nd October, 1997	Retired
Alexander, O.	Hospital Attendant I	Health	10th November, 1997	do.
Jacob, S.	Cleaner II	Works and Transport	1st November, 1997	do.
David, O.	Sterilizer Operator	Health	21st September, 1997	do.
Douglas, Mrs. M.	Teacher I	Education	6th January, 1997	do.
Lewis-Bailey, Mrs. G.	Nurse	Health	29th October, 1997	do.
Lambert, Mrs. R.	Cleaner I	Education	25th November, 1997	do.
Mahadeo, K.	Works Supervisor I	Works and Transport	22nd November, 1997	do.
Jones, M.	Principal II	Education	1st November, 1997	do.
La Croix, Mrs. B.	Midwife	Health	27th April, 1997	do.
Small-Valley, Mrs. M.	Medical Orderly	do.	22nd October, 1997	do.
Mohammed, Z.	Teacher I	Education	2nd October, 1995	do.
Knight-Davis, Mrs. Y.	Principal I	do.	1st September, 1997	do.
Romain, Dr. H.	Deputy Director Veterinary Public Health	Health	7th November, 1997	do.
Solomon, R.	Sterilizer Operator	Tobago House of Assembly	22nd October, 1997	do.
Sylvester, W.	Superintendent of Police	National Security	12th November, 1997	do.
Crooks, U.	Motor Vehicle Driver	Tobago House of Assembly	1st May, 1997	do.
Dillon-Gill, Mrs. J.	Teacher I	Education	28th August, 1997	do.
Chablal-Francis, Mrs. C.	Nurse	Health	1st September, 1997	do.
Rampersad, H.	Postal Supervisor III	Public Utilities	14th October, 1997	do.
Davis-Simeon, Mrs. L.	Wardsmaid	Health	1st November, 1997	do.
Scott, Mrs. K.	Clerk Typist I	Public Utilities	21st April, 1997	do.
McEachnie-Quamina, Mrs. L.	Cleaner I	Education	31st October, 1997	do.
Kairsingh-Rambocas, Mrs. V.	Nurse	Health	1st September, 1997	do.
Bissoo, B.	Cleaner II	National Security	5th August, 1997	do.
Blackman, Mrs. F.	District Health Visitor	Health	17th November, 1997	do.
Thomas-George, Mrs. A.	do.	do.	do.	do.
Cartledge, Dr. S. E.	Biochemist I	do.	1st October, 1997	Resigned
Greene, Ms. C.	Nursing Assistant	do.	19th November, 1997	Retired
Lewis Miss G.	Clerk I	Tobago House of Assembly	1st December, 1992	Resigned
Thom	Police Corporal (No. 8656)	National Security	2nd December, 1997	Retired

246—Continued

Left the Service—Continued

Name	Office	Department	Date	Reasons
Douglas-Sammy, Mrs. T.	Nursing Assistant	Health	19th November, 1997	Retired
Lewis-Williams, Mrs. V.	Staff Nurse	do.	28th November, 1997	do.
Smith-Navarro, Mrs. G.	Cleaner I	Education	7th December, 1996	do.
Harrison, Miss J.	Nurse's Aide	Health	21st November, 1997	do.
Sankar, Miss P.	Teacher I	Education	4th June, 1997	do.
Madho, S.	do.	do.	29th August, 1996	Resigned
McLeod, Mrs. M.	Postman I	Public Utilities	27th July, 1995	do.
Gomes	Prison Officer II (No. 621)	National Security	28th October, 1996	Retired
Crevelle, F.	Messenger I	Foreign Affairs	10th November, 1997	do.
Borde, Mrs. C.	Printing Operator II	Public Utilities	1st December, 1997	do.
Mohammed, Miss M.	Medical Social Worker I	Health	11th August, 1997	Resigned
Ali, Mrs. N.	Clerk I	do.	18th November, 1997	Retired
James-Pope, Mrs. C.	Cook II	Tobago House of Assembly	24th November, 1997	do.
Ghatt, M.	Senior Superintendent of Police	National Security	21st November, 1997	do.
Pierre, Miss K.	Teacher II	Education	1st July, 1997	Resigned
Parris, Dr. J.	House Officer	Tobago House of Assembly	9th December, 1994	Abandoned
Rampersad, D.	Clerk IV	Local Government	14th December, 1997	Retired
Phillip, Mrs. M.	Head Nurse	Health	10th December, 1997	do.
Burkett A.	Librarian II	Foreign Affairs	8th December, 1997	do.
Antoine-Coward, Mrs. S.	Head Nurse	Health	5th December, 1997	do.
Quammie, A.	Clerk IV	Public Administration and Information	20th November, 1997	do.
Gopaulchand, Mrs. R.	do.	Works and Transport	12th December, 1997	do.
John E.	Youth Camp Assistant Director	Education	8th October, 1997	do.
Rauceo, H.	Plant Quarantine Guard	Agriculture, Land and Marine Resources	17th December, 1997	do.
Guy, R.	Assistant Swimming Instructor	Sport and Youth Affairs	16th December, 1997	do.
Mahabirsingh, S.	Agricultural Assistant III	Agriculture, Land and Marine Resources	17th December, 1997	do.
Orr, Miss A.	Principal I	Tobago House of Assembly	2nd September, 1997	do.
Ruiz-Nyakh, Mrs. M.	Nursing Assistant	Health	3rd September, 1997	do.
Morrison, C.	Teacher I	Tobago House of Assembly	1st October, 1997	do.
Branche, L.	do.	Education	7th January, 1992	Resigned
Cato, Miss R.	Wardmaid	Health	4th November, 1997	Retired
Barry	Fireman (No. 694)	National Security	15th December, 1997	do.
Barthol, A.	Prison Officer I	do.	16th November, 1996	Abandoned
Ali, Mrs. S.	Teacher I	Education	1st May, 1996	Retired
Adharsingh, E.	Motor Vehicle Driver	Health	6th August, 1996	Resigned
Legere	Police Constable (No. 8397)	National Security	30th December, 1997	Retired
Titus, I.	Director Agricultural Planning	Agricultural, Land and Marine Resources	4th January, 1998	do.
Smith A.	Motor Vehicle Officer II	Works and Transport	27th December, 1997	do.
Wilson, Mrs. T.	Teacher I	Education	2nd September, 1997	do.
Seegobin, S.	Geologist II	Energy and Energy Industries	10th January, 1997	Resigned
Harvey, Dr. C.	Permanent Secretary	Education	1st January, 1998	Retired
Montrichard N.	Coxswain	National Security	5th January, 1998	do.
Byam, Dr. D.	House Officer	Health	17th June, 1996	Abandoned
Alleyne, L.	Assistant Field Interviewer	Community Development, Culture and Women's Affairs	13th March, 1995	do.
Khan, Mrs. P.	Teacher I	Education	5th January, 1998	Retired
Craig Miss J.	Student Pharmacist II	Health	3rd June, 1997	Resigned
Saroop Seetahal, Miss D.	Assistant Solicitor General	Attorney General	8th August, 1997	do.
Dardaine, S.	Directory Forestry	Agriculture, Land and Marine Resources	27th October, 1997	Retired
Harper, Mrs. A.	Postal Officer III	Public Utilities	1st September, 1997	do.
Armstrong, Mrs. J.	Nurse's Aide	Health	2nd January, 1998	do.
Tyson, Miss N.	Cypher Clerk I	Foreign Affairs	5th September, 1997	Resigned
Bartholomew, Miss C.	Psychiatric Social Worker II	Health	25th December, 1997	Retired
Williams, Miss G.	Administrative Officer IV	Finance (Central Tenders Board)	27th December, 1997	do.
Kangalee H.	Agricultural Officer I	Agriculture, Lands and Marine Resources	26th November, 1996	Abandoned

246—Continued

APPOINTMENTS, ACTING APPOINTMENTS, ETC.—CONTINUED

Left the Service—Continued

Name	Office	Department	Date	Reasons
Kellar, B. ...	Messenger I ...	Personnel Department ...	14th May, 1997 ...	Resigned
Coward, Mrs. J. ...	Teacher I ...	Education ...	13th January, 1998 ...	Retired
Moreno, Mrs. M. ...	Telephone Operator I ...	National Security ...	6th December, 1997 ...	Retired compulsorily
Dhan, Mrs. S. ...	Clerk I ...	Works and Transport ...	5th May, 1998 ...	Retired
Dardaine, R. ...	Estate Constable ...	Health ...	1st November, 1998 ...	do.
Joseph, M. ...	Assistant Teacher II ...	Education ...	19th February, 1996 ...	Termination
Salandy, Mrs. N. ...	Accountant I ...	Finance ...	22nd August, 1997 ...	Retired
Gairy, Ms. A. ...	Wardmaid ...	Health ...	25th December, 1997 ...	Retired compulsorily
Hinds-Tia-Okwee, Mrs. A. ...	Nurse ...	do. ...	26th June, 1998 ...	Retired on grounds of Marriage
Glasgow, A. ...	Co-operative Officer II ...	Labour and Co-operative ...	18th May, 1998 ...	Retired compulsorily
Payne, E. ...	Messenger II ...	Housing and Settlement ...	29th July, 1998 ...	do.
Williams ...	Constable (No. 10349) ...	National Security ...	26th July, 1998 ...	Retired on grounds of ill-health
Naquar, S. ...	Estate Constable ...	Health ...	3rd November, 1997 ...	Resigned
Richardson, Ms. J. ...	Wardmaid ...	Health ...	7th May, 1998 ...	Retired voluntarily
Jules-Moore, Mrs. S. ...	Hydrographic Surveyor II ...	Agriculture, Land and Marine Resources do. ...	29th July, 1998 ...	Retired on grounds of Marriage
Lal, M. ...	Game Warden II ...	do. ...	29th July, 1998 ...	Retired compulsorily
Rattansingh, H. ...	Administrative Officer IV ...	Housing and Settlement ...	28th July, 1998 ...	do.
Jarette, M. ...	Principal II ...	Education ...	27th August, 1997 ...	do.
Ramie, R. ...	Hospital Attendant I ...	Health ...	5th June, 1998 ...	Resigned
Jaggernaut, T. ...	Town Planning Assistant I ...	Planning and Development ...	23rd May, 1996 ...	do.
La Chapelle, Ms. P. ...	Teacher I ...	Education ...	25th July, 1978 ...	Retired on grounds of ill-health
Paloo, R. ...	Principal II ...	do. ...	17th February, 1998 ...	Retired
Akhtar, M. ...	Special Teacher III ...	do. ...	19th April, 1998 ...	Retired on grounds of ill-health
Elcock, V. ...	Estate Corporal ...	Works and Transport ...	23rd June, 1998 ...	Retired
Jawahir, K. ...	Hospital Equipment Serviceman ...	Health ...	19th July, 1997 ...	Resigned
Darmanie ...	Police Constable (No. 10441) ...	National Security ...	2nd December, 1997 ...	do.
Samlal ...	Police Constable (No. 10354) ...	do. ...	18th May, 1998 ...	do.
Birbal-Rampersad, Mrs. V. ...	Clerk IV ...	Local Government ...	1st August, 1998 ...	Retired
Hosein-Ramgoolam, Mrs. S. ...	Nurse ...	Health ...	11th May, 1998 ...	do.
Galloway, Miss M. ...	District Health Visitor ...	Health ...	1st August, 1998 ...	do.
Hemnath, H. ...	Chief Manpower Officer ...	Labour and Co-operatives ...	10th August, 1998 ...	do.
Bagot, E. ...	Time Keeper ...	Public Utilities ...	7th April, 1998 ...	do.
La Croix ...	Prison Officer II (No. 575) ...	National Security ...	5th June, 1998 ...	do.
Mayers, H. ...	Hospital Attendant I ...	Health ...	2nd December, 1997 ...	do.
Imambaksh, K. ...	Teacher II ...	Education ...	4th March, 1997 ...	Resigned
Hull, G. ...	Agricultural Engineer I ...	Agriculture, Land and Marine Resources ...	5th November, 1998 ...	do.
Mohammed ...	Police Sergeant (No. 7796) ...	National Security ...	7th August, 1998 ...	Retired
Cyrus ...	Prison Officer II (No. 731) ...	do. ...	8th August, 1998 ...	do.
Rogers ...	Police Constable (No. 11312) ...	do. ...	5th June, 1997 ...	Resigned
Vialva ...	Police Constable (No. 12583) ...	do. ...	13th January, 1998 ...	do.
Lenard, R. ...	Special Teacher I ...	Education ...	30th September, 1997 ...	do.
Moonoo, M. ...	Male Airport Attendant II ...	Works and Transport ...	4th August, 1998 ...	Retired
Ferdinand-Pierre, Mrs. I. ...	Auditing Assistant ...	do. ...	18th November, 1997 ...	Resigned
Sullivan ...	Fire Sub Station Officer (No. 1029) ...	National Security ...	2nd December, 1997 ...	Retired
Chune, A. ...	Principal I ...	Education ...	8th August, 1998 ...	do.
Busby, Mrs. B. ...	Teacher I ...	do. ...	22nd July, 1998 ...	do.
O'Brian, Mrs. P. ...	Audit Examiner II ...	Auditor General ...	1st August, 1998 ...	do.
St John, Mrs. L. ...	Teacher I ...	Education ...	30th July, 1998 ...	do.
Bristol, W. ...	Estate Constable ...	Works and Transport ...	1st July, 1998 ...	do.
Hicks, C. ...	Postman Inspector II ...	Public Utilities ...	8th January, 1998 ...	do.
Davis, G. ...	Clerk I ...	Finance ...	8th May, 1998 ...	Resigned
Mathura, D. ...	Pharmacist I ...	Health ...	3rd March, 1998 ...	do.

246—Continued

Left the Service—Continued

Name	Office	Department	Date	Reasons
David, Miss N. ...	Wardswmaid ...	Health ...	11th October, 1997	Retired
Maharaj, D. ...	Printing Operator I ...	Public Utilities ...	16th June, 1998	Resigned
Hospedales, Miss C. ...	Clerk I ...	Sport and Youth Affairs ...	15th June, 1998	Retired
Harbhajan, Mrs. J. ...	Clerk/Typist I ...	Auditor General ...	1st July, 1998	Resigned
Granger, Miss M. ...	Administrative Officer IV	Office of the Prime Minister	20th August, 1998	Retired
Eccles, Mc L. ...	Immigration Officer IV ...	National Security ...	28th August, 1998	do.
Jones, Mrs. L. ...	Special Teacher II ...	Scarborough Secondary	16th August, 1998	do.
Jones, Mrs. S. ...	Nursing Assistant ...	Health ...	5th June, 1998	do.
Corentin, H. ...	Customs and Excise Collector	Finance ...	17th August, 1998	do.
Stewart, D. ...	Superintendent of Prisons	National Security ...	6th August, 1998	do.
George ...	Fireman (No. 1058) ...	do. ...	15th September, 1997	do.
Guerra ...	Prison Officer II (No. 636)	do. ...	20th August, 1998	do.
Persad, Mrs. R. ...	Teacher I ...	Education ...	5th January, 1998	do.
Jaggat, Mrs. R. ...	do. ...	do. ...	do.	do.
Mangalie, R. ...	Principal I ...	do. ...	30th December, 1997	do.
Warner, Mrs. R. ...	do. ...	do. ...	5th January, 1998	do.
Sorzano, Ms. I. ...	do. ...	do. ...	do.	do.
Paul-Edwards, Mrs. T. ...	Wardswmaid ...	Health ...	26th November, 1997	do.
Raghunanan, Mrs. Y. ...	Clerk Typist I ...	Local Government ...	25th March, 1992	do.
Keith, Mrs. J. ...	do. ...	Education ...	23rd February, 1996	do.
Ramlakhan, Miss C. ...	Laboratory Assistant I ...	do. ...	29th March, 1990	Abandoned
Ramkissoon, R. ...	Clerk I ...	Finance ...	17th July, 1997	Resigned
Samlal, Mrs. D. ...	Teacher I ...	Education ...	5th January, 1998	Retired
Oudit, Mrs. S. ...	do. ...	do. ...	do.	do.
Drakes, W. ...	Administrative Officer V ...	Finance ...	4th January, 1998	do.
McCauley-Cambridge, Mrs. S.	Dark Room Technician ...	Health ...	31st December, 1997	do.
Morin-Moe, Mrs. P. ...	Midwife ...	do. ...	2nd January, 1998	do.
Dingwall ...	Fire Sub Station Officer (No. 752)	National Security ...	31st December, 1997	do.
Seurattan, Mrs. J. ...	Teacher I ...	Education ...	5th January, 1998	do.
Fields-Pyle, Mrs. L. ...	Nursing Assistant ...	Health ...	31st December, 1997	do.
Walker, Mrs. N. ...	Nurse ...	do. ...	2nd January, 1998	do.
Beepath-Joseph, Mrs. S. ...	Head Nurse ...	do. ...	do.	do.
Woods-Joseph, Mrs. M. ...	do. ...	do. ...	do.	do.
Cross, Miss E. ...	District Nurse ...	do. ...	6th January, 1998	do.
Rique, Miss Y. ...	Head Nurse ...	do. ...	2nd January, 1998	do.
Whiteman, L. ...	Hospital Attendant I ...	do. ...	7th January, 1998	do.
Elliot, C. ...	Records Manager II ...	Labour and Co-operatives	19th December, 1997	do.
Richardson, Ms. J. ...	Clerk II ...	Social Development ...	5th January, 1998	do.
Roberts-Mitchell, Mrs. E. ...	Medical Orderly ...	Health ...	do.	do.
Lewis, Mrs. N. ...	Wardswmaid ...	do. ...	5th November, 1997	do.
Jaggernauth, Ms. S. ...	Student Pharmacist II ...	do. ...	13th August, 1997	Resigned
Mankasingh, Mrs. D. J. ...	Teacher I ...	Education ...	5th January, 1998	Retired
Clark, A. L. ...	Assistant Director, Meteorological Services	Public Utilities ...	2nd January, 1998	do.
Jagessar, Mrs. M. ...	Pharmacist I ...	Health ...	30th July, 1996	Abandoned
Roopnarine, Mrs. E. ...	Teacher I ...	Education ...	5th January, 1998	Retired
Edmund, S. ...	Estate Constable ...	Agriculture, Land and Marine Resources	do.	do.
Collette-Seaton, Mrs. M. ...	Teacher I ...	Education ...	12th January, 1998	do.
Quammie, M. ...	Hospital Attendant I ...	Health ...	28th October, 1996	Resigned
Keller-Emanuel, Mrs. J. ...	Teacher I ...	Education ...	5th January, 1998	Retired
Stuart, Miss M. I. ...	do. ...	do. ...	do.	do.
Taylor, Mrs. M. ...	Vice-Principal I ...	do. ...	do.	do.
Beharry-Stanley, Mrs. B. ...	Nurse ...	Health ...	19th December, 1997	do.
Jeremie, Miss D. ...	Senior State Solicitor ...	Attorney General ...	10th September, 1997	do.
Ramjattan, Mrs. G. ...	Nurse ...	Health ...	5th January, 1998	do.
Ramsumair, Miss M. ...	do. ...	do. ...	11th October, 1996 (noon)	do.
Parasram, H. ...	Teacher II ...	Education ...	11th July, 1997	do.
Cabral-George, Mrs. L. ...	Wardswmaid ...	Health ...	21st February, 1997	Abandoned
Gordon ...	Police Constable (No. 9354)	National Security ...	19th November, 1997	Retired
Martin ...	Police Constable (No. 11779)	do. ...	8th November, 1997	do.

246—Continued

APPOINTMENTS, ACTING APPOINTMENTS, ETC.—CONTINUED

Left the Service—Continued

Name	Office	Department	Date	Reasons
Scarlett, Mrs. S. ...	Clerk I	Social Development ...	2nd October, 1997 (noon)	Retired
*Mohammed, Dr. M. ...	Agronomist	Agriculture, Land and Marine Resources	1st October, 1995 ...	Resigned
†Superville, C. ...	Divisional Fire Officer (No. 608)	National Security ...	2nd May, 1997 ...	Retired
‡Cambridge, K. ...	Clerk I	Education	12th September, 1996 ...	Resigned

Obituaries


Name	Rank of Officer	Department	Date of Death
Pena, J.	Teacher I	St. Joseph Government Primary	12th May, 1998
David, G.	Principal I	Arima Boys RC Primary ...	28th January, 1998
Roopnarine, D. ...	Special Teacher III ...	Moruga Composite	21st March, 1998
Boyea-Williams, Mrs. P. ...	Nurse's Aide	Health	26th June, 1998
Alladin, Miss W. ...	Special Teacher I	Success/Laventille Composite	18th February, 1998
Mohammed, B. A. ...	Storekeeper I	Education	9th June, 1998
Gordon, K.	Hospital Attendant I ...	Health	4th July, 1998
Ramdass, Ms. N. ...	Clerk I	Agriculture, Lands and Marine Resources	29th September, 1997
Davis, F.	Post Office Driver	Public Utilities	6th November, 1997
George, W.	Furniture Inspector ...	Tobago House of Assembly ...	15th August, 1986
Johnson, Mrs. R. ...	Wardmaid	Health	19th October, 1997
Best, Miss C.	Teacher I	Sangre Grande SDA Primary ...	12th April, 1998
Innis	Fireman (No. 2354) ...	National Security	3rd March, 1998
Mongroo, R.	Agricultural Assistant II	Agriculture, Lands and Marine Resources	14th September, 1997
Sankar, K.	Agricultural Extension Aide	do.	7th September, 1997
Dottin	Prison Officer I (No. 1351)	National Security	27th August, 1997
Mungalsingh, Mrs. D. ...	Teacher I	Education	25th October, 1996
Boyd-Patrick, Dr. H. ...	Medical Officer of Health	Health	15th June, 1997
Spring, O.	Motor Vehicle Officer I ...	Works and Transport	3rd August, 1997
Myers	Prison Officer I (No. 1518)	National Security	11th March, 1997
Douglas, S.	Teacher I	Education	5th August, 1987
Dookie, S.	Motor Vehicle Driver/Operator II	Community Development, Culture and Women's Affairs	29th May, 1997
Bobb, Ms. V.	Postman I	Public Utilities	19th December, 1996
Maharaj, G.	Public Health Inspector III	Health	25th July, 1997
Ajim, T.	Principal I	Education	23rd August, 1997
Edwards, Mrs. A. ...	Cleaner I	Tobago House of Assembly ...	12th December, 1996
Pooran, B.	Survey Interviewer III ...	Office of the Prime Minister ...	7th August, 1997
Ramdhanie, H. ...	Postman III	Public Utilities	10th June, 1996
Ali, H.	Registration Officer ...	Election and Boundaries Commission	31st August, 1997
Bernard, F.	Clerk I	Office of the Prime Minister ...	2nd October, 1996
Duke	Police Constable (No. 8822)	National Security	9th September, 1997
Edwards-Archie, Mrs. E. ...	Clerk Typist I... ..	Tobago House of Assembly ...	1st April, 1997
Bacchus, Mrs. A. ...	Principal, School of Nursing	Health	2nd September, 1997
Ramjohn-Jones, Mrs. J. ...	Clerk Typist I	Office of the Prime Minister ...	19th October, 1997
Ali, E.	Agricultural Extension Aide	Agriculture, Lands and Marine Resources	1st October, 1997
Alexander-Joseph, Mrs. A. ...	Teacher I	Education	27th January, 1996
Reece, Mrs. J.	Vice-Principal II	do.	11th October, 1997
Bishop, L.	Motor Vehicle Driver ...	Works and Transport	7th October, 1996
Clarke, S.	Temporary Messenger I	Sport and Youth Affairs ...	21st September, 1997
Millington, Dr. V. ...	Temporary Specialist Medical Officer	Health	29th August, 1996
Gopeesingh, D. ...	Inspector Prices, Weights and Measures	Consumer Affairs	11th January, 1997
Gardner, R.	Hospital Attendant I ...	Health	18th May, 1997

* Amended from an Abandonment to a Resignation.

† Amended from 30th April, 1997 to 2nd May, 1997.

‡ Amended to read 12th September, 1996 instead of 9th September, 1996.

FORM NO. 3 - THE PATENTS ACT.

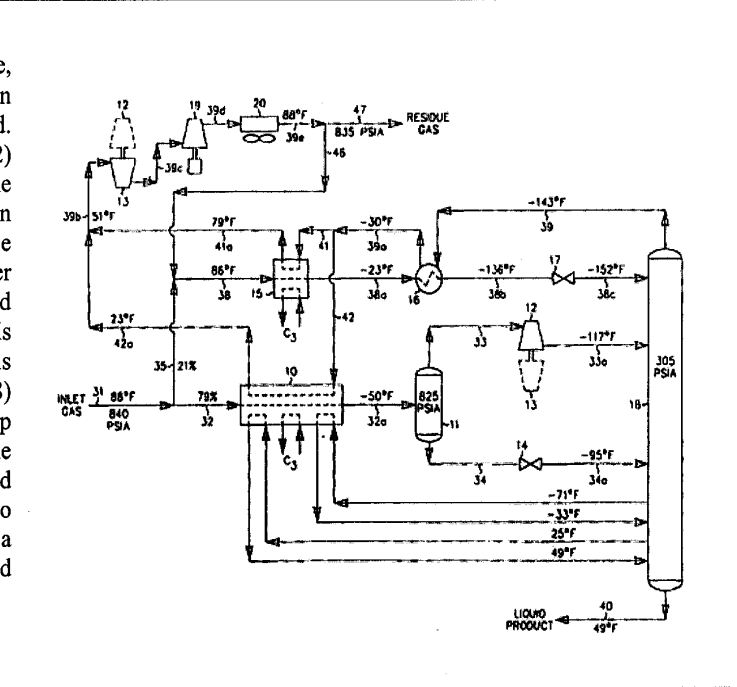
<p>(19) Intellectual Property Office Trinidad and Tobago</p> 	<p>(11) Publication Number: TT/P/2003/00010</p> <p>(45) Publication Date: Friday 14th February, 2003</p> <p>(51) IPC: (6) F25J 3/02</p>
---	--

(12) **PATENT**


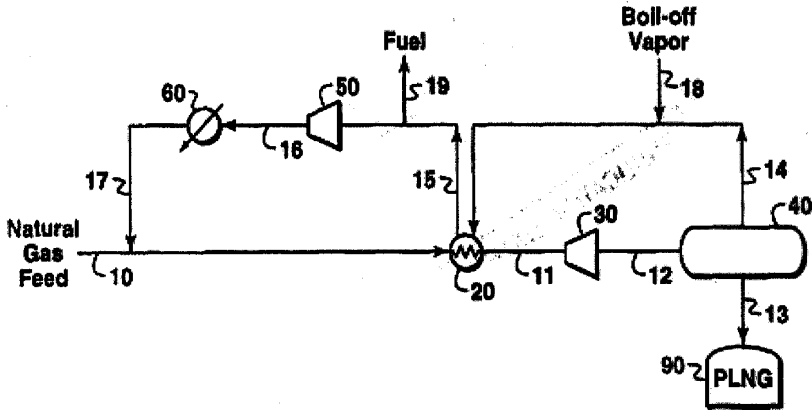
<p>(21) Application Number: TT/A/1999/00090</p> <p>(22) Filing Date: 16 April 1998</p> <p>(31) Priority Number: 60/045,874</p> <p>(32) Priority Date: 7 May 1997</p> <p>(33) Priority Country: UNITED STATES OF AMERICA</p>	<p>(73) Owner(s): ELCOR CORPORATION; Suite 1000, Wellington Centre, 14643 Dallas Parkway, Dallas, TX 75240 (US).</p> <p>(72) Inventor(s): CAMPBELL, Roy, E. (deceased); CAMPBELL, Wanda, P. (executrix for the deceased inventor); 1600 West Cuthbert, Midland, TX 70701 (US). WILKINSON, John, D.; 2800 West Dengar, Midland, TX 79705 (US). HUDSON, Hank, M.; 2508 West Sinclair, Midland, TX 79705 (US). CUELLAR, Kyle, T.; 1611 Cottage Point, Katy, TX 77494 (US).</p> <p>(74) Agent: J. D. Sellier & Co., 129/131 Abercromby Street, Port of Spain, Trinidad, W.I.</p>
--	---

(54) **Title: PROCESS FOR SEPARATING HYDROCARBON GAS CONSTITUENTS**


Abstract: A process for the recovery of ethane, ethylene, propane, propylene and heavier hydrocarbon components from a hydrocarbon gas stream is disclosed. The stream is divided into first (35) and second (32) streams, and the second stream (32) is expanded to the fractionation tower pressure and supplied to the column (18) at a mid-column feed position (33a, 34a). A recycle stream (39) is withdrawn from the tower overhead after it has been warmed and compressed, and is combined with the first stream (35). The combined stream (38) is cooled to condense substantially all of it, and is thereafter expanded to the fractionation tower (18) pressure and supplied to the fractionation tower at a top column feed position (38c). The pressure of the compressed recycle stream and the quantities and temperatures of the feeds to the column are effective to maintain the column overhead temperature at a temperature whereby the major portion of the desired components is recovered.



FORM NO. 3 - THE PATENTS ACT.

<p>(19) Intellectual Property Office Trinidad and Tobago</p> 	<p>(11) Publication Number: TT/P/2003/00011</p> <p>(45) Publication Date: Friday 14th February, 2003</p> <p>(51) IPC: (6) F25J 1/02</p>
<p>(12) PATENT</p>	
<p>(21) Application Number: TT/A/1999/00116</p> <p>(22) Filing Date: 18 June 1998</p> <p>(31) Priority Number: 60/050,280</p> <p>(32) Priority Date: 20 June 1997</p> <p>(33) Priority Country: US</p>	<p>(73) Owner(s): EXXON PRODUCTION RESEARCH COMPANY; 3120 Buffalo Speedway, P.O. Box 2189, Houston, TX 77252-2189 (US).</p> <p>(72) Inventor(s): THOMAS, Eugene, R.; 6429 Rutgers, Houston, TX 77005-3848 (US). BOWEN, Ronald, R.; 37602 Pinwood Court, Magnolia, TX 77355 (US). COLE, Eric, T.; 3607 Whispering Brook Drive, Kingwood, TX 77345 (US). KIMBLE, Edward, L.; 4814 Rebel Ridge Drive, Sugar Land, TX 77478 (US).</p> <p>(74) Agent: Messrs. Fitzwilliam, Stone, Furness-Smith & Morgan, 36 Pembroke Street, Port of Spain, Trinidad, W.I.</p>
<p>(54) Title: IMPROVED PROCESS FOR LIQUEFACTION OF NATURAL GAS</p>	
<p>(57) Abstract: This invention relates to a process for liquefying a gas stream rich in methane and having a pressure above about 3103 kPa (450 psia). The gas stream is expanded to a lower pressure to produce a gas phase and a liquid product having a temperature above about $-112\text{ }^{\circ}\text{C}$ ($-170\text{ }^{\circ}\text{F}$) and a pressure sufficient for the liquid product to be at or below its bubble point. The gas phase and the liquid product are then phase separated in a suitable separator, and the liquid product is introduced to a storage means for storage at a temperature above about $-112\text{ }^{\circ}\text{C}$ ($-170\text{ }^{\circ}\text{F}$).</p>	
	

FORM NO. 3 - THE PATENTS ACT.

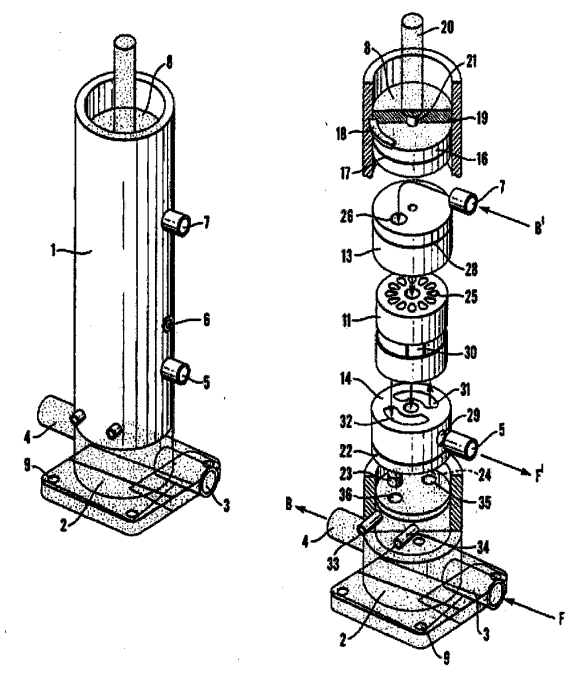
<p>(19) Intellectual Property Office Trinidad and Tobago</p> 	<p>(11) Publication Number: TT/P/2003/00012</p> <p>(45) Publication Date: Friday 14th February, 2003</p> <p>(51) IPC: (6) F04F 11/02</p>
---	---

(12) **PATENT**

<p>(21) Application Number: TT/A/2000/00058</p> <p>(22) Filing Date: 30 September 1998</p> <p>(31) Priority Number: 974542</p> <p>(32) Priority Date: 1 October 1997</p> <p>(33) Priority Country: NORWAY</p>	<p>(71) Applicant(s): ENERGY RECOVERY INC.; 500 Woodlake Drive, Suite #8, Chesapeake, Virginia, 23320, (US).</p> <p>(72) Inventor(s): HAUGE, Leif, J.; P.O. Box 65157, Virginia Beach, VA 23467-5157 (US).</p> <p>(74) Agent: M. Hamel-Smith & Co., 19 St. Vincent Street, Port of Spain, Trinidad, W.I.</p>
--	---


(54) **Title: PRESSURE EXCHANGER**

(57) **Abstract:** A pressure exchanger for transferring pressure energy from one fluid flow to a second where two end covers (13, 14), a rotor (11) and a rotor liner (12) are mounted together via a centre bolt (10) in a pressure housing (1) in order to reduce elastic deformations, essentially tensile stress, and to protect the pressure exchanger against impact or shock. One end cover (13) is arranged for inlet of fluid at high pressure and outlet of the same fluid depressurized in a corresponding end cover (14) via a central course in the rotor. The second end cover (14) has in addition an inlet for fluid at low pressure and an outlet for the same fluid under high pressure. A base (2) which is attached with lease pins at the bottom of the pressure housing (1) has external connections (3, 4) and internal passages, which are connected with the inlet (24) of fluid at low pressure together with the outlet (23) for depressurized fluid in the end cover (14). A sealing ring (28) prevents the mixing of in and outgoing fluid at high pressure which is passed through the pressure housing's wall via external pipe couplings (5, 7). The pressure housing (1) has a top cover (8) which is attached via a multi-sectional locking ring (18) inserted in an internal groove in the pressure housing by means of the locking cover (20).



(57) **Abstract:** A pressure exchanger for transferring pressure energy from one fluid flow to a second where two end covers (13, 14), a rotor (11) and a rotor liner (12) are mounted together via a centre bolt (10) in a pressure housing (1) in order to reduce elastic deformations, essentially tensile stress, and to protect the pressure exchanger against impact or shock. One end cover (13) is arranged for inlet of fluid at high pressure and outlet of the same fluid depressurized in a corresponding end cover (14) via a central course in the rotor. The second end cover (14) has in addition an inlet for fluid at low pressure and an outlet for the same fluid under high pressure. A base (2) which is attached with lease pins at the bottom of the pressure housing (1) has external connections (3, 4) and internal passages, which are connected with the inlet (24) of fluid at low pressure together with the outlet (23) for depressurized fluid in the end cover (14). A sealing ring (28) prevents the mixing of in and outgoing fluid at high pressure which is passed through the pressure housing's wall via external pipe couplings (5, 7). The pressure housing (1) has a top cover (8) which is attached via a multi-sectional locking ring (18) inserted in an internal groove in the pressure housing by means of the locking cover (20).

FORM NO. 3 - THE PATENTS ACT.

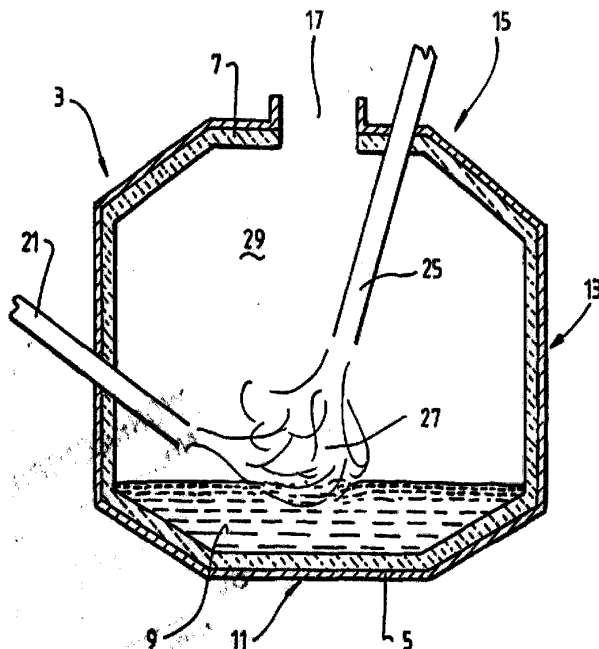
<p>(19) Intellectual Property Office Trinidad and Tobago</p> 	<p>(11) Publication Number: TT/P/2003/00013</p> <p>(45) Publication Date: Friday 14th February, 2003</p> <p>(51) IPC: (6) C21B 11/00</p>
---	---

(12) **PATENT**


<p>(21) Application Number: TT/A/1999/00051</p> <p>(22) Filing Date: 17 December 1997</p> <p>(31) Priority Number: PO 4263</p> <p>(32) Priority Date: 18 December 1996</p> <p>(33) Priority Country: AUSTRALIA</p>	<p>(73) Owner(s): TECHNOLOGICAL RESOURCES PTY. LTD.; 55 Collins Street, Melbourne, Victoria 3000 (AU).</p> <p>(72) Inventor(s): BATES, Cecil, Peter [NZ/AU]; 12A Coogee Road, Mt. Pleasant, W.A. 6153 (AU).</p> <p>(74) Agent: Messrs. Fitzwilliam, Stone, Furness-Smith & Morgan, 36 Pembroke Street, Port of Spain, Trinidad, W.I.</p>
---	---

(54) **Title: PRODUCING IRON FROM SOLID IRON CARBIDE**

(57) **Abstract:** A method of producing iron from iron carbide is disclosed. Solid iron carbide is injected into a molten bath comprising molten iron and slag and dissolves in the molten bath. An oxygen-containing gas is injected into a gas space above the surface of the molten bath to cause combustion of at least a portion of combustible material in the gas space. In addition splashes and/or droplets of molten iron and/or slag are ejected upwardly from the molten bath into the gas space above the quiescent bath surface to form a transition zone. The transition zone is a region in which heat generated by combustion of combustible material is transferred to the splashes and/or droplets of molten iron and/or slag and thereafter is transferred to the molten bath when the splashes and/or droplets of molten iron and/or slag return to the molten bath.

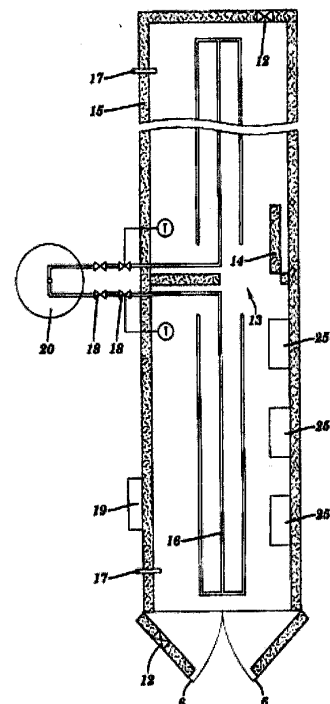


FORM NO. 3 - THE PATENTS ACT.

<p>(19) Intellectual Property Office Trinidad and Tobago</p> 	<p>(11) Publication Number: TT/P/2003/00014</p> <p>(45) Publication Date: Friday 14th February, 2003</p> <p>(51) IPC: (6) A23L</p>
<p>(12) PATENT</p>	
<p>(21) Application Number: TT/A/2000/00050</p> <p>(22) Filing Date: 16 October 1998</p> <p>(31) Priority Number: 08/954,644</p> <p>(32) Priority Date: 20 October 1997</p> <p>(33) Priority Country: United States of America</p>	<p>(73) Owner(s): COLDWAVE SYSTEMS, L.L.C.; 157 Langley Road, Newton Center, MA 02159 (US).</p> <p>(72) Inventor(s): GRAHAM, B., Eric; 157 Langley Road, Newton Center, MA 02159 (US).</p> <p>(74) Agent: J. D. Sellier & Co., 129/131 Abercromby Street, Port of Spain, Trinidad, W.I.</p>


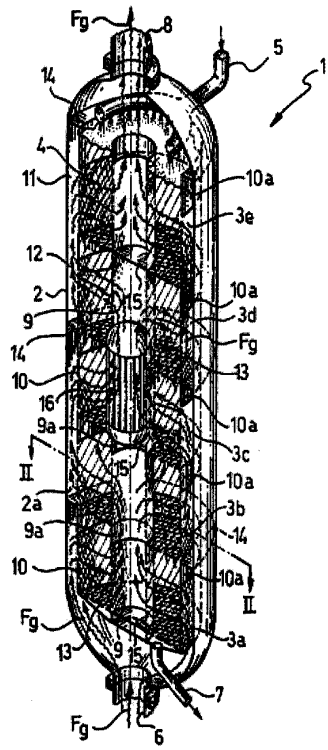
(54) Title: METHOD AND APPARATUS FOR SHIPPING SUPER FROZEN MATERIALS

(57) Abstract: A method and apparatus for freezing products or materials to a super-frozen state, storing them until shipment and shipping them in a super-frozen state. The apparatus consists of two self-contained, super-insulated containers. The first apparatus has at least two compartments, one for freezing and one for storage. The product or material to be frozen is placed in the freezing compartment and frozen to a super-frozen state and then transferred to the storage compartment where it is stored until shipment. The second apparatus is a self contained super-insulated shipping container. When shipment is to be effected, product or material is transferred from a storage compartment of the first apparatus in a super-frozen state to the second or shipping apparatus. The doors of the shipping apparatus are closed and the self-contained, super-insulated apparatus containing super-frozen product or material is shipped to a remote venue.


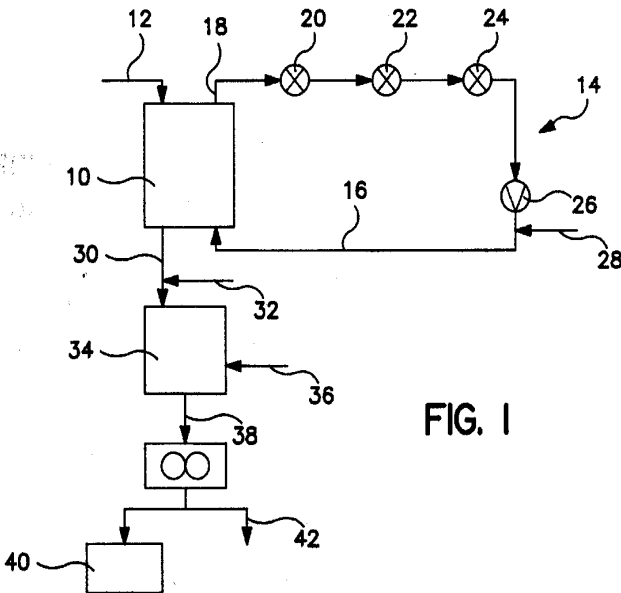


TRINIDAD AND TOBAGO PATENT OFFICE


FORM NO. 3 - THE PATENTS ACT.

<p>(19) Intellectual Property Office Trinidad and Tobago</p> 	<p>(11) Publication Number: TT/P/2003/00015</p> <p>(45) Publication Date: Friday 14th February, 2003</p> <p>(51) IPC: (6) B01J 19/00</p>
<p>(12) PATENT</p>	
<p>(21) Application Number: TT/A/2000/00109</p> <p>(22) Filing Date: 23 February 1999</p> <p>(31) Priority Number: 98200587.8</p> <p>(32) Priority Date: 25 February 1998</p> <p>(33) Priority Country: (EP)</p>	<p>(72) Owner(s): AMMONIA CASALE S.A.; Via Sorengo, 7, CH-6900 Lugano (CH).</p> <p>(72) Inventor(s): FILIPPI, Ermanno [IT/CH]; Strada di Gandria, 73, CH-6976 Castagnola (CH).</p> <p>(74) Agent: J. D. Sellier & Co., 129/131 Abercromby Street, Port of Spain, Trinidad, W.I.</p>
<p>(54) Title: PROCESS FOR EFFECTING MASS TRANSFER BETWEEN A LIQUID PHASE AND A GASEOUS PHASE</p>	
<p>(57) Abstract: A process for effecting mass transfer between a liquid phase and a gaseous phase in a filled-type column comprising an external shell which accommodates at least one filler-containing basket where through the phases are caused to flow in countercurrent relationship, advantageously comprises the step of feeding the gaseous phase to the at least one basket through a gas-permeable surface thereof which is larger than the basket cross-section, preferably in a prevailing radial flow direction.</p>	

FORM NO. 3 - THE PATENTS ACT.

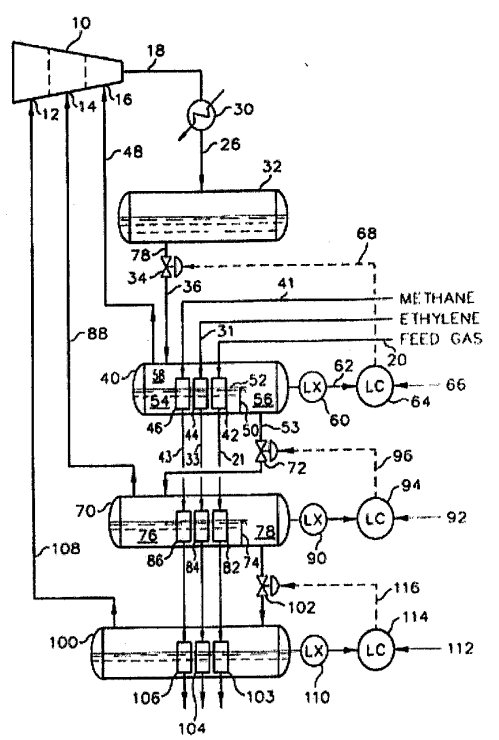
<p>(19) Intellectual Property Office Trinidad and Tobago</p> 	<p>(11) Publication Number: TT/P/2003/00016</p> <p>(45) Publication Date: Friday 14th February, 2003</p> <p>(51) IPC: (6) C22B 001/14</p>
<p>(12) PATENT</p>	
<p>(21) Application Number: TT/A/2000/00052</p> <p>(22) Filing Date: 19 April 2000</p> <p>(31) Priority Number: 09/282,721</p> <p>(32) Priority Date: 31 March 1999</p> <p>(33) Priority Country: UNITED STATES OF AMERICA</p>	<p>(73) Owner(s): INTERNATIONAL BRIQUETTES HOLDING; Av. Venezuela de Bello Monte Edificio Torre America, Piso 12, Caracas, Venezuela.</p> <p>(72) Inventor(s): MACHADO ZULOAGA, Henrique; Calle Sur, Quinta Amagi, Lomas de los Chorros, (VE). DAM, Oscar G.; Calle 4, Manzana 72, Casa 7 Los Saltos, Puerto Ordaz, (VE).</p> <p>(74) Agent: Kulraj Kamta, Post Office Box 346, Port of Spain Spain, Trinidad, W.I.</p>
<p>(54) Title: METHOD FOR HOT WATER AGGLOMERATION OF SOLID METALLIZED IRON PARTICLES TO PRODUCE ALLOYED BRIQUETTES</p>	
<p>(57) Abstract: A method for making iron-alloy briquettes, includes the steps of: providing hot metallized iron particles having a temperature of at least about 650.degree. C. and an initial degree of metallization of at least about 90% (wt.); providing an additive selected from the group consisting of ferroalloy powder, metal-containing ash and mixtures thereof, wherein the additive contains an alloying metal; mixing the iron particles and the additive to provide a mixture of the particles and the additive; and forming the mixture into briquettes containing the alloying metal.</p>	 <p style="text-align: right;">FIG. 1</p>

FORM NO. 3 - THE PATENTS ACT.

<p>(19) Intellectual Property Office Trinidad and Tobago</p> 	<p>(11) Publication Number: TT/P/2003/00017</p> <p>(45) Publication Date: Friday 14th February, 2003</p> <p>(51) IPC: (6) F25J 1/00</p>
<p>(12) PATENT</p>	
<p>(21) Application Number: TT/A/1999/00007</p> <p>(22) Filing Date: 11 June 1997</p> <p>(31) Priority Number: 08/682,463</p> <p>(32) Priority Date: 17 July 1996</p> <p>(33) Priority Country: UNITED STATES OF AMERICA</p>	<p>(73) Owner(s): PHILLIPS PETROLEUM COMPANY [US/US]; 4th and Keeler, Bartlesville, OK 74004 (US).</p> <p>(72) Inventor(s): LOW, William, Raymond; 1000 Grandview Road, Bartlesville, OK 74006 (US). CAMPBELL, Kenneth, C.; 4525 Rolling Meadows Road, Bartlesville, OK 74006 (US).</p> <p>(74) Agent: J. D. Sellier & Co., 129/131 Abercromby Street, Port of Spain, Trinidad, W.I.</p>

(54) Title: CORE-IN-SHELL HEAT EXCHANGERS FOR MULTISTAGE COMPRESSORS

(57) Abstract: In multistage refrigeration compression (10), where liquid refrigerant withdraw from a core-in-shell type heat exchanger (40) connected to a high compression stage (16) is passed to a similar exchanger (70) connected to a lower compression stage (14), liquid level stability in the higher compression stage exchanger (40) is improved by providing an enlarged surge volume. A baffle plate (50) transversing a lower portion of the shell divides the shell into a cooling zone that contains the cores, and a discharge zone that is part of the surge volume. The height of the baffle is selected to facilitate maintenance of at least a minimum functional liquid level in the shell. Liquid refrigerant withdrawn from the discharge zone of the highstage shell is supplied to the cooling zone of a shell connected to a lower compression stage. The liquid level in the shell is maintained by manipulating flow to liquid refrigerant that is flashed into the cooling zone of the higher compression stage shell.



255NOTICE OF INTENDED REMOVAL OF DEFUNCT
COMPANY FROM REGISTER*[Section 461(3) of the Companies Act, 1995]*

NOTICE is hereby given that at the expiration of three months from the date of this notice the name of the Company appearing hereunder will, unless cause is shown to the contrary, be struck off the Register of Companies kept at this office, and the Company will be dissolved.

Name of Company

THE TRINIDAD AND TOBAGO CHINA FRIENDSHIP
SOCIETY—T 1470(C)

Dated this 13th day of January, 2003 at the Registrar
General's Office.

K. BRIDGEWATER
Deputy Registrar of Companies

256NOTICE OF INTENDED REMOVAL OF DEFUNCT
COMPANIES FROM REGISTER*[Subsection (3) of section 275 of Companies Ordinance, Ch. 31. No. 1]*

NOTICE is hereby given that at the expiration of three months from the date of this notice the names of the Companies appearing hereunder will, unless cause is shown to the contrary, be struck off the Register of Companies kept at this office, and the Companies will be dissolved.

Name of Company

CRUSOE'S COVE LIMITED—(C 1562)
THE KNIGHTS OF THE REPUBLIC OF TRINIDAD
AND TOBAGO LIMITED—T 1467
ESSENTIALLY SEAFOOD LIMITED —E 511
JADE GARDEN RESTAURANT LIMITED—(J 379)

Dated this 21st day of January, 2003 at the Registrar
General's Office.

K. BRIDGEWATER
Deputy Registrar of Companies

257*Name of Company*

A.K.J. INVESTMENTS LIMITED—A 1061
TRINCAN ENTERPRISES LIMITED—(T 1479)

Dated this 24th day of January, 2003 at the Registrar
General's Office.

K. BRIDGEWATER
Deputy Registrar of Companies

258LOSS OF GUARDIAN LIFE OF THE CARIBBEAN
LIMITED POLICIES

SWORN declaration having been made that Policy Number 5000347561 issued by GUARDIAN LIFE OF THE CARIBBEAN LIMITED on the life of SHELLY-ANN HUSAIN has been lost, and having made application to the Company for a duplicate policy, notice is hereby given that unless objection is raised within one month of the undermentioned date, the duplicate policy requested will be issued.

GUARDIAN LIFE OF THE CARIBBEAN
LIMITED

1, Guardian Drive,
Westmoorings South East.

10th February, 2003.

259

SWORN declaration having been made that Policy Number 5000186320 issued by GUARDIAN LIFE OF THE CARIBBEAN LIMITED on the life of HEERALAL HOSEIN has been lost, and having made application to the Company for a duplicate policy, notice is hereby given that unless objection is raised within one month of the undermentioned date, the duplicate policy requested will be issued.

GUARDIAN LIFE OF THE CARIBBEAN
LIMITED

1, Guardian Drive,
Westmoorings South East.

10th February, 2003.

260

SWORN declaration having been made that Policy Number 8000171601 issued by GUARDIAN LIFE OF THE CARIBBEAN LIMITED on the life of SHAFAZ BABWAH has been lost, and having made application to the Company for a duplicate policy, notice is hereby given that unless objection is raised within one month of the undermentioned date, the duplicate policy requested will be issued.

GUARDIAN LIFE OF THE CARIBBEAN
LIMITED

1, Guardian Drive,
Westmoorings South East.

10th February, 2003.

261

SWORN declaration having been made that Policy Number DT90039201 issued by GUARDIAN LIFE OF THE CARIBBEAN LIMITED on the life of ALVIN ASHTON has been lost, and having made application to the Company for a duplicate policy, notice is hereby given that unless objection is raised within one month of the undermentioned date, the duplicate policy requested will be issued.

GUARDIAN LIFE OF THE CARIBBEAN
LIMITED

1, Guardian Drive,
Westmoorings South East.

10th February, 2003.

262

LOSS OF GUARDIAN LIFE OF THE CARIBBEAN
LIMITED POLICIES—CONTINUED

SWORN declaration having been made that Policy Number ET60168757 issued by GUARDIAN LIFE OF THE CARIBBEAN LIMITED on the life of DOYLE HICKS has been lost, and having made application to the Company for a duplicate policy, notice is hereby given that unless objection is raised within one month of the undermentioned date, the duplicate policy requested will be issued.

GUARDIAN LIFE OF THE CARIBBEAN
LIMITED

1, Guardian Drive,
Westmoorings South East.
10th February, 2003.

263

SWORN declaration having been made that Policy Number ET60359121 issued by GUARDIAN LIFE OF THE CARIBBEAN LIMITED on the life of EUTRICE RUSSELL has been lost, and having made application to the Company for a duplicate policy, notice is hereby given that unless objection is raised within one month of the undermentioned date, the duplicate policy requested will be issued.

GUARDIAN LIFE OF THE CARIBBEAN
LIMITED

1, Guardian Drive,
Westmoorings South East.
10th February, 2003.

264

SWORN declaration having been made that Policy Number 5000339525 issued by GUARDIAN LIFE OF THE CARIBBEAN LIMITED on the life of ANTHONY GAFOOR has been lost, and having made application to the Company for a duplicate policy, notice is hereby given that unless objection is raised within one month of the undermentioned date, the duplicate policy requested will be issued.

GUARDIAN LIFE OF THE CARIBBEAN
LIMITED

1, Guardian Drive,
Westmoorings South East.
10th February, 2003.

265

SWORN declaration having been made that Policy Number ET60161117 issued by GUARDIAN LIFE OF THE CARIBBEAN LIMITED on the life of FITZROY WILLIAMS has been lost, and having made application to the Company for a duplicate policy, notice is hereby given that unless objection is raised within one month of the undermentioned date, the duplicate policy requested will be issued.

GUARDIAN LIFE OF THE CARIBBEAN
LIMITED

1, Guardian Drive,
Westmoorings South East.
10th February, 2003.

266

SWORN declaration having been made that Policy Number ET60208669 issued by GUARDIAN LIFE OF THE CARIBBEAN LIMITED on the life of DENNIS RAMKOON has been lost, and having made application to the Company for a duplicate policy, notice is hereby given that unless objection is raised within one month of the undermentioned date, the duplicate policy requested will be issued.

GUARDIAN LIFE OF THE CARIBBEAN
LIMITED

1, Guardian Drive,
Westmoorings South East.
10th February, 2003.

267

SWORN declaration having been made that Policies Numbers 5000375351 and 8000069555 issued by GUARDIAN LIFE OF THE CARIBBEAN LIMITED on the life of ANN MARIE MODIKHAN have been lost, and having made application to the Company for duplicate policies, notice is hereby given that unless objection is raised within one month of the undermentioned date, the duplicate policies requested will be issued.

GUARDIAN LIFE OF THE CARIBBEAN
LIMITED

1, Guardian Drive,
Westmoorings South East.
10th February, 2003.

268

LOSS OF NATIONWIDE INSURANCE COMPANY
LIMITED POLICY

KEITH BELGROVE having made sworn deposition that Policy Number 90037637 on the life of KERSHEN BELGROVE has been lost and having made application to the Directors to grant a duplicate of the same, notice is hereby given that unless objection is raised within one month of the date hereof, the duplicate policy asked for will be issued.

Dated 10th February, 2003.

NATIONWIDE INSURANCE COMPANY LIMITED

269

LOSS OF MARITIME LIFE (CARIBBEAN) LIMITED
POLICY

RAMESH RAMOUTAR having made sworn declaration that Policy Number 283056 issued by MARITIME LIFE (CARIBBEAN) LIMITED on his life has been lost and having made application to the Company for a duplicate policy, notice is hereby given that unless objection is raised within one month of the date thereof, the duplicate policy asked for will be issued.

MARITIME LIFE (CARIBBEAN) LIMITED

29, Tenth Avenue,
Barataria.