



TRINIDAD AND TOBAGO GAZETTE

(EXTRAORDINARY)

VOL. 42

Port-of-Spain, Trinidad, Monday 26th May, 2003—Price \$1.00

No. 80

829

REGISTRATION RECOGNITION AND CERTIFICATION BOARD RULES, CHAP. 88:01—RULE 20

APPLICATIONS FOR CERTIFICATION OF RECOGNITION

Name and Address of Claimant Union: NATIONAL UNION OF GOVERNMENT AND FEDERATED WORKERS
145-147, HENRY STREET
PORT-OF-SPAIN

Name and Address of Employer: INDUSTRIAL RENTALS LIMITED
NATIONAL FISHERIES COMPOUND
SEA LOTS

TAKE NOTICE that on the 9th May, 2003, the Registration Recognition and Certification Board received from the above-named Claimant Union an application for Certification of Recognition as the Recognised Majority Union in respect of a bargaining unit comprising "all hourly, daily, weekly and monthly rated workers" of Industrial Rentals Limited, National Fisheries Compound, Sea Lots.

Dated this 14th day of May, 2003.

J. HEPBURN
*Secretary, Registration Recognition
and Certification Board*

830

Name and Address of Claimant Union: NATIONAL UNION OF GOVERNMENT AND FEDERATED WORKERS
145-147, HENRY STREET
PORT-OF-SPAIN


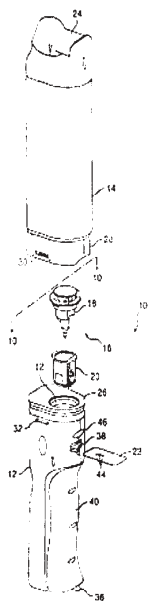
Name and Address of Employer: KOW JENG MARINE SERVICES
NATIONAL FISHERIES COMPOUND
SEA LOTS

TAKE NOTICE that on the 9th May, 2003, the Registration Recognition and Certification Board received from the above-named Claimant Union an application for Certification of Recognition as the Recognised Majority Union in respect of a bargaining unit comprising "all hourly rated, piece rated, weekly and monthly paid workers" of Kow Jeng Marine Services, National Fisheries Compound, Sea Lots.

Dated this 14th day of May, 2003.


J. HEPBURN
*Secretary, Registration Recognition
and Certification Board*

FORM NO. 3 - THE PATENTS ACT.


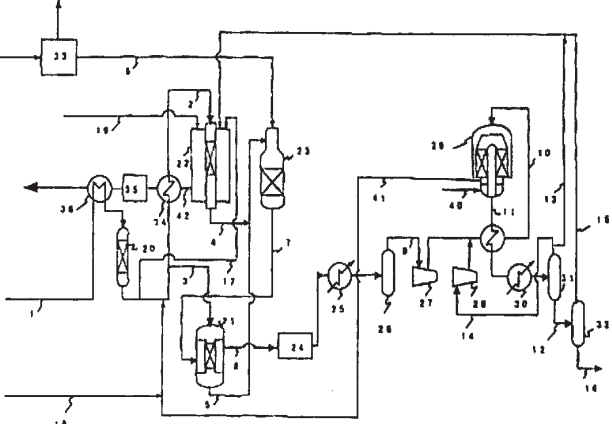
<p>(19) Intellectual Property Office Trinidad and Tobago</p> 	<p>(11) Publication Number: TT/P/2003/00018</p> <p>(45) Publication Date: Monday 26th May, 2003</p> <p>(51) IPC: (6) A61K 9/00</p>
<p>(12) PATENT</p>	
<p>(21) Application Number:TT/A/2000/00148</p> <p>(22) Filing Date:17th November 2000</p> <p>(31) Priority Number: 0/087929;09/312434</p> <p>(32) Priority Date: 4th June 1998;14th May 1999</p> <p>(33) Priority Country: United States of America;United States of America</p>	<p>(73) Owner(s): INHALE THERAPEUTIC SYSTEMS 150 Industrial Road, San CarlosCA 94070United States of America</p> <p>(72) Inventor(s): BURR, John, D. 1135 Cedarwood Way, Redwood City, CA 94061; (US). SMITH, Adrian, E. 2803 Alhambra Drive, Belmont, CA 94002; (US). HALL, Randy, K. 717 Sylvan Avenue, Mountain View, CA 94041; (US). SNYDER, Herm 501 Daleview, Belmont, CA 94002; (US). SCHULER, Carlos 10344 Denison Avenue, Cupertino, CA 95014; (US). AXFORD, George, S. 2727 Edison Street #116, San Mateo, CA 94403; (US).</p> <p>(74) Agent: Messrs. Fitzwilliam, Stone, Furness-Smith & Morgan, 36 Pembroke Street, Port of Spain, Trinidad, W.I.</p>
<p>(54) Title: DRY POWDER DISPENSING APPARATUS AND METHODS FOR THEIR USE</p>	
<p>(57)Abstract: The invention provides various apparatus and methods for aerosolizing a powdered medicament. In one exemplary embodiment, an apparatus includes a pressurization cylinder, and a piston which is slidable within the cylinder to pressurize a gas. A handle is coupled to the piston and is movable between an extended position and a home position to pressurize the gas. An aerosolizing mechanism is included and is configured to aerosolize a powdered medicament that is held within a receptacle with pressurized gas from the cylinder. A carriage assembly is included to receive the receptacle and to couple the receptacle to the aerosolizing mechanism. A first and a second interlock are operably engageable with the carriage assembly to prevent coupling of the receptacle with the aerosolization mechanism. The first interlock is released to allow movement of the carriage upon movement of the handle to the extended position. The second interlock remains engaged if the receptacle is only partially inserted into the carriage assembly.</p>	

832


FORM NO. 3 - THE PATENTS ACT.

<p>(19) Intellectual Property Office Trinidad and Tobago</p> 	<p>(11) Publication Number: TT/P/2003/00019</p> <p>(45) Publication Date: Monday 26th May, 2003</p> <p>(51) IPC: (6) A23L 1/304, 1/0524, A23C 9/152, 9/154, 9/13, 9/137</p>
<p>(12) PATENT</p>	
<p>(21) Application Number: TT/A/1998/00047</p> <p>(22) Filing Date: 2nd November 1998</p> <p>(31) Priority Number: 08/739070</p> <p>(32) Priority Date: 28th October 1996</p> <p>(33) Priority Country: United States of America</p>	<p>(73) Owner(s): SOCIETE DES PRODUITS NESTLE S.A. P.O. Box 353, CH-1800 Vevey ; (CH). [CH/CH].</p> <p>(72) Inventor(s): REDDY, Sekhar 2 Briar Lane, New Milford, CT 06776 ; (US). JACOBSON, Mark, Randolph 27 Candlewood Springs, New Milford, CT 06776 ; (US). VADEHRA, Dharam, Vir 6 Halletts Road, New Milford, CT 06776 ; (US). WEDRAL, Elaine, Regina Chestnut Hill Road, R.R.2, P.O. Box 480 A, Sherman, CT 06784 ; (US).</p> <p>(74) Agent: J. D. Sellier & Co., 129/131 Abercromby Street, Port of Spain, Trinidad, W.I.</p>
<p>(54) Title: FORTIFICATION OF FOOD WITH A COMPLEX OF CALCIUM</p>	
<p>(57) Abstract: A fortified foodstuff comprising a fortifying amount of a complex of calcium and a hydrolysed polysaccharide. The foodstuff may be a dairy-based product such as milk or a milk product.</p>	

FORM NO. 3 - THE PATENTS ACT.

<p>(19) Intellectual Property Office Trinidad and Tobago</p> 	<p>(11) Publication Number: TT/P/2003/00022</p> <p>(45) Publication Date: Monday 26th May, 2003</p> <p>(51) IPC: (6) C07C 31/04, 29/151, B01J 23/26, 23/78, 23/80</p>
<p>(12) PATENT</p>	
<p>(21) Application Number: TT/A/1999/00031</p> <p>(22) Filing Date: 26 November 1998</p> <p>(31) Priority Number: 9/363346; 10/332941</p> <p>(32) Priority Date: 27 November 1997; 24 November 1998</p> <p>(33) Priority Country: JP</p>	<p>(73) Owner(s): TOYO ENGINEERING CORPORATION 2-5 Kasumigaseki 3-chome, Chiyoda-ku, Tokyo 100-6005, Japan</p> <p>(72) Inventor(s): HIROTANI, Kunio 5-417-16-2-1108, Makuharicho, Hanamigawa-ku, Chiba-shi, Chiba 262-0032 ; (JP) [JP/JP]. NAKAMURA, Hitoshi 487-33, Dainichi, Yotsukaidou-shi, Chiba 284-0001 ; (JP) [JP/JP]. SHOUJI, Kazuo 1-26-6-203, Oanakita, Funabashi-shi, Chiba 274-0068 ; (JP) [JP/JP].</p> <p>(74) Agent: J. D. Sellier & Co., 129/131 Abercromby Street, Port of Spain, Trinidad, W.I.</p>
<p>(54) Title: PROCESS FOR PRODUCING METHANOL</p>	
<p>(57) Abstract: A method of producing methanol capable of reducing the construction cost of a plant and improving overall energy efficiency of the plant, comprising the steps of subjecting a starting material mixed gas of a starting gas and a steam to primary reforming, secondary reforming and synthetic reaction, wherein primary reforming means comprises a combustion type steam reforming furnace and a heat-exchange type steam reforming apparatus, a ratio between the feed quantity of the starting mixed gas to the combustion type steam reforming furnace and that to the heat-exchange type steam reforming apparatus is 1:3 to 3:1, a part of the starting gas after the removal of sulfur contents, combustion air, an unreacted synthetic gas generated by a methanol synthesis loop and preferably, a flash gas, are supplied as the fuel to the combustion type steam reforming furnace, the synthetic gas after the secondary reforming reaction is supplied to the heat-exchange type steam reforming apparatus for heating the starting mixed gas of the heat-exchange type steam reforming apparatus, and the steam generated by the reaction heat in the methanol synthetic reactor is mixed with the starting gas supplied to the primary reforming means.</p>	

FORM NO. 3 - THE PATENTS ACT.

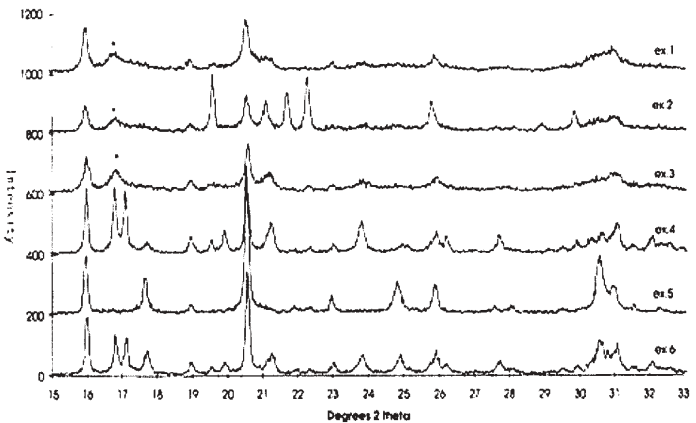
<p>(19) Intellectual Property Office Trinidad and Tobago</p> 	<p>(11) Publication Number: TT/P/2003/00023</p> <p>(45) Publication Date: Monday 26th May, 2003</p> <p>(51) IPC: (6) C01B 25/45, 33/26, B01J 29 /02, 20 /16, 29 /06</p>
--	---

(12) PATENT


<p>(21) Application Number: TT/A/1999/00033</p> <p>(22) Filing Date: 08 October 1997</p> <p>(31) Priority Number: 964276</p> <p>(32) Priority Date: 09 October 1996</p> <p>(33) Priority Country: NO</p>	<p>(73) Owner(s): NORSK HYDRO ASA N-0240 Oslo ; (NO). [NO/NO].</p> <p>(72) Inventor(s): WENDELBO, Rune Peer Gynts vei 2, N-0851 Oslo ; (NO) [NO/NO]. AKPORIAYE, Duncan, E. Kristine Bonneviens vei 15, N-0592 Oslo ; (NO) [NO/NO]. ANDERSEN, Anne Olaf Bullsvei 7, N-0765 Oslo ; (NO) [NO/NO]. DAHL, Ivar, Martin Kongsberg. 6, N-0468 Oslo ; (NO) [NO/NO]. MOSTAD, Helle, Brit Fossumhavene 47, N-1343 Eiksmarka ; (NO) [NO/NO]. FUGLERUD, Terje Snarveien 1, N-3925 Porsgrunn ; (NO) [NO/NO]. KVISLE, Steinar Breidablikbakken 44, N-3910 Porsgrunn ; (NO)</p> <p>(74) Agent: J. D. Sellier & Co., 129/131 Abercromby Street, Port of Spain, Trinidad, W.I.</p>
--	--

(54) Title: A MICROPOROUS CRYSTALLINE SILICO-ALUMINO-PHOSPHATE COMPOSITION, CATALYTIC MATERIAL COMPRISING SAID COMPOSITION AND USE OF THESE FOR PRODUCTION OF OLEFINS FROM METHANOL

(57) Abstract: The invention concerns microporous crystalline silico-alumino-phosphate (SAPO) compositions, catalytic materials comprising said composition, and use of these for production of olefins from methanol. The catalysts comprise silico-alumino-phosphate materials with AEI/CHA-mixed phase composition. The invented catalysts have prolonged life compared to those belonging to the prior art.



FORM NO. 3 - THE PATENTS ACT.

<p>(19) Intellectual Property Office Trinidad and Tobago</p> 	<p>(11) Publication Number: TT/P/2003/00027</p> <p>(45) Publication Date: Monday 26th May, 2003</p> <p>(51) IPC: (7) A61K 31/4709, 9/20, 9/28, A61P 31/04</p>
<p>(12) PATENT</p>	
<p>(21) Application Number: TT/A/2001/00081</p> <p>(22) Filing Date: 29 October 1999</p> <p>(31) Priority Number: 198 55 758.2</p> <p>(32) Priority Date: 10 November 1998</p> <p>(33) Priority Country: DE</p>	<p>(73) Owner(s): BAYER AKTIENGESELLSCHAFT D-51368 Leverkusen ; (DE)</p> <p>(72) Inventor(s): BOSCHE Patrick; Bergstr. 69b, D-51519 Odenthal DE ; MAHLER, Hans, Friedrich; Haferkamp 6, D-51061 Köln DE; Friedrich; WEISEMANN, Claus; 204 Kelly Ridge Drive, Apex, NC 27502 (US) [US/DE].</p> <p>(74) Agent: J. D. Sellier & Co., 129/131 Abercromby Street, Port of Spain, Trinidad, W.I.</p>
<p>(54) Title: PHARMACEUTICAL MOXIFLOXACIN PREPARATION</p>	
<p>(57) Abstract: The invention relates to a pharmaceutical preparation for oral administration, containing moxifloxacin, its salt and/or hydrate as well as lactose. The invention also relates to a method for producing said preparation and to its use for combating bacterial infections in man or animals.</p>	

**(19) Intellectual Property Office
Trinidad and Tobago**



Publication Date: Monday 26th May, 2003

UTILITY CERTIFICATE

(21) Application Number:
TT/U/2001/00001

(22) Filing Date:
27 September, 2001

(31) Priority Number:

(32) Priority Date:

(33) Priority Country:

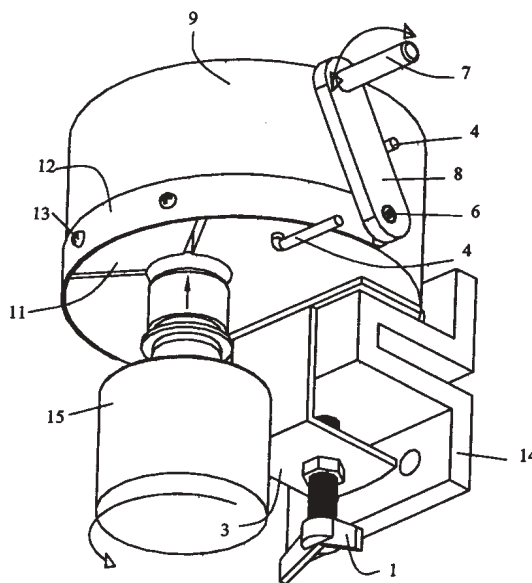
(73) Owner(s): BALGOBIN Rebecca; 22A,
Boundary Road, Felicity, Chaguanas, Republic of
Trinidad and Tobago.

(72) Inventor(s): BALGOBIN Rebecca; 22A,
Boundary Road, Felicity, Chaguanas,
Republic of Trinidad and Tobago.

(74) Agent: J.D. SELLIER & CO. 129/131
Abercromby Street, Port-of-Spain, Trinidad.

(54) Title: A CLOSURE OPENER DEVICE.

(57) Abstract: A closure opener device for opening bottle closures of the screw cap and twist-off cap varieties, comprised of a cylindrical main opener body (9) having an upper and lower surface, a jaw (11) ringed about by a jaw band (12) at its lower surface, held in position by two jaw band screws (13), a jaw band pivot screw (10) and functioning in conjunction with a cam operated means comprising a cam (5), cam lever screw (6), cam lever handle (7) and cam lever (8). The closure opener device may be secured laterally by a clamp device (3), or vertically by means of a perpendicular suspension bracket device (14).



(19) **Intellectual Property Office
Trinidad and Tobago**



Publication Date: Monday 26th May, 2003

UTILITY CERTIFICATE

(21) **Application Number:**
TT/U/2002/00001

(22) **Filing Date:**
5 March, 2002

(31) **Priority Number:**

(32) **Priority Date:**

(33) **Priority Country:**

(73) **Owner(s): CAMPBELL Mavis; 73 Zephyr Drive, Carenage, Republic of Trinidad and Tobago.**

(72) **Inventor(s): CAMPBELL Mavis; 73 Zephyr Drive, Carenage, Republic of Trinidad and Tobago.**

(74) **Agent: J.D. SELLIER & CO. 129/131 Abercromby Street, Port-of-Spain, Trinidad.**

(54) **Title: THE BRAILLEFOLD.**

(57) **Abstract:** A container of the billfold or wallet genre, of low assistive technology origin and design having an open top, front(7) and rear(1) walls, central medial seam and longitudinally extending stepped adjacent walls, five in number, bearing brailled indicia(8) prominently disposed on either side of said plurality of stepped longitudinally extending adjacent walls and having as well a inner longitudinally extending detachable wall member(10) as a key carrier(12) and having a plurality of transversely extending velcro strips(11).

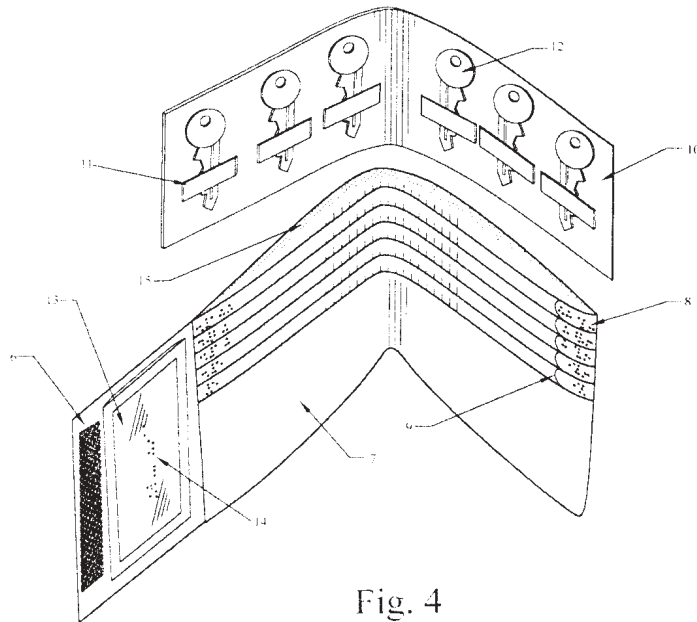


Fig. 4

(19) **Intellectual Property Office
Trinidad and Tobago**



Publication Date: Monday 26th May, 2003

UTILITY CERTIFICATE

(21) **Application Number:**
TT/U/2002/00003

(22) **Filing Date:**
3 April, 2002

(31) **Priority Number:**

(32) **Priority Date:**

(33) **Priority Country:**

(73) **Owner(s): TEWARI Vishnu B.;** 26 Ocean Ave, Don Miguel, San Juan, Trinidad and Tobago.

(72) **Inventor(s): TEWARI Vishnu B.;** 26 Ocean Ave, Don Miguel, San Juan, Trinidad and Tobago.

(74) **Agent:**

(54) **Title:** RODENT BARRIER DEVICE FOR STOVE APPARATUS.

(57) **Abstract:** A rodent barrier plate device 1 of metal, being rectangular in shape, of varying length and thickness, bearing ventilation 2 and fastener holes 3, given notches 4 and designed for mounting upon the upper and lower levels of any given stove apparatus assembly, for the specific purpose of denying ingress or egress to rodents.

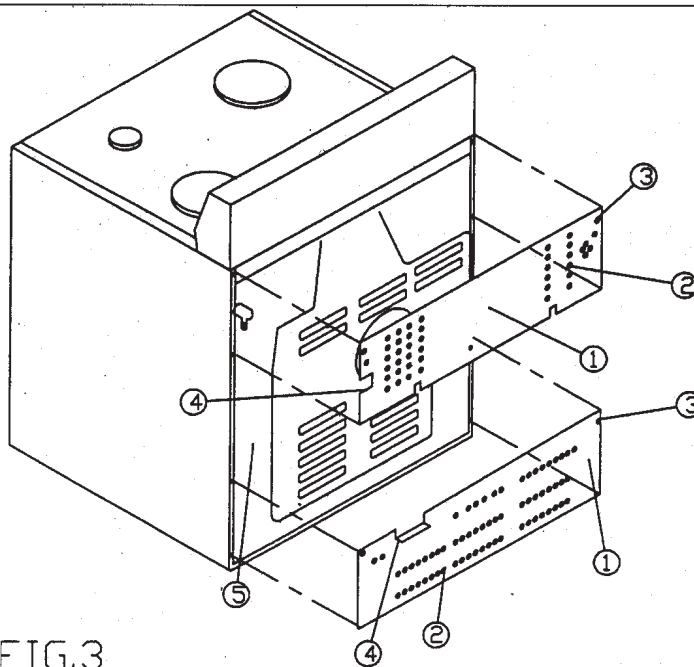


FIG.3

(19) **Intellectual Property Office
Trinidad and Tobago**



Publication Date: Monday 26th May, 2003

UTILITY CERTIFICATE

(21) **Application Number:**
TT/U/2002/00002

(22) **Filing Date:**
15 March, 2002

(31) **Priority Number:**

(32) **Priority Date:**

(33) **Priority Country:**

(73) **Owner(s):** ROBERTS Oscar A.; 46 Lewis Street, La Puerta, Diego Martin, Trinidad and Tobago.

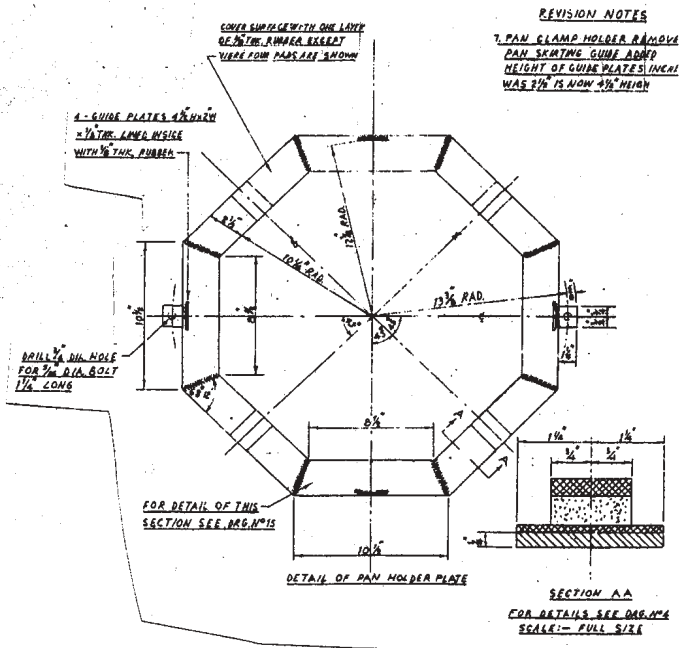
(72) **Inventor(s):** ROBERTS Oscar A.; 46 Lewis Street, La Puerta, Diego Martin, Trinidad and Tobago.

(74) **Agent:**

(54) **Title:** ROBERTS PORTABLE PAN TUNING STAND.

(57) **Abstract:** Roberts Portable Pan Tuning Stand consists of four (4) major parts:-

1. Two telescopic support legs. These legs can be adjusted at various heights to suit the pan tuner. There is also a slot at the top for a light fitting, which can be used when working at night and a bushing to accommodate the disc plate.
2. A disc plate which is attached to the legs by a small shaft and attached to the disc plate is the pan holder plate support. The disc plate is used to revolve the pan holder plate in the vertical plane at 30° intervals.
3. The pan holder plate, which rests on the support attached to the disc plate, and can revolve through 180° in horizontal plane, but can be held in the fixed position with a pin attached to the support. The plate is lined with rubber this is to allow the tuner to get the proper tone of the note.
4. The locating pin assembly is also attached to the support leg, this pin hold the disc plate in position, and is operated by pressing a foot pedal.



840

LOSS OF COLONIAL LIFE INSURANCE COMPANY
(TRINIDAD) LIMITED POLICIES

NOTICE is hereby given that Policy Number E0142267 on the life of BARRY RADOO issued by COLONIAL LIFE INSURANCE COMPANY (TRINIDAD) LIMITED is lost according to sworn declaration made by the Assured under this policy.

It is the intention of Colonial Life Insurance Company (Trinidad) Limited to issue a special policy in place of the said lost policy, in accordance with section 163 of the Insurance Act, 1980, unless objection is raised within one (1) month from the date hereof.

S. MARTIN
*Supervisor, Individual Insurance
and Annuities Department*

841

NOTICE is hereby given that Policy Number R0031096 on the life of KENNETA CHRYSANTA BOBB issued by COLONIAL LIFE INSURANCE COMPANY (TRINIDAD) LIMITED is lost according to sworn declaration made by the Assured under this policy.

It is the intention of Colonial Life Insurance Company (Trinidad) Limited to issue a special policy in place of the said lost policy, in accordance with section 163 of the Insurance Act, 1980, unless objection is raised within one (1) month from the date hereof.

S. MARTIN
*Supervisor, Individual Insurance
and Annuities Department*

842

NOTICE is hereby given that Policy Number R0022292 on the life of SATAISH GAYA issued by COLONIAL LIFE INSURANCE COMPANY (TRINIDAD) LIMITED is lost according to sworn declaration made by the Assured under this policy.

It is the intention of Colonial Life Insurance Company (Trinidad) Limited to issue a special policy in place of the said lost policy, in accordance with section 163 of the Insurance Act, 1980, unless objection is raised within one (1) month from the date hereof.

S. MARTIN
*Supervisor, Individual Insurance
and Annuities Department*

843

NOTICE is hereby given that Policy Number E0163782 on the life of RAMESH RAMBARAN issued by COLONIAL LIFE INSURANCE COMPANY (TRINIDAD) LIMITED is lost according to sworn declaration made by the Assured under this policy.

It is the intention of Colonial Life Insurance Company (Trinidad) Limited to issue a special policy in place of the said lost policy, in accordance with section 163 of the Insurance Act, 1980, unless objection is raised within one (1) month from the date hereof.

S. MARTIN
*Supervisor, Individual Insurance
and Annuities Department*

844

NOTICE is hereby given that Policy Number E0006714 on the life of AZZIM MOHAMMED issued by COLONIAL LIFE INSURANCE COMPANY (TRINIDAD) LIMITED is lost according to sworn declaration made by the Assured under this policy.

It is the intention of Colonial Life Insurance Company (Trinidad) Limited to issue a special policy in place of the said lost policy, in accordance with section 163 of the Insurance Act, 1980, unless objection is raised within one (1) month from the date hereof.

S. MARTIN
*Supervisor, Individual Insurance
and Annuities Department*

845

NOTICE is hereby given that Policy Number E0109942 on the life of GALE ALEXANDER issued by COLONIAL LIFE INSURANCE COMPANY (TRINIDAD) LIMITED is lost according to sworn declaration made by the Assured under this policy.

It is the intention of Colonial Life Insurance Company (Trinidad) Limited to issue a special policy in place of the said lost policy, in accordance with section 163 of the Insurance Act, 1980, unless objection is raised within one (1) month from the date hereof.

S. MARTIN
*Supervisor, Individual Insurance
and Annuities Department*

846

NOTICE is hereby given that Policy Number R0057768 on the life of SHARAZ ALI issued by COLONIAL LIFE INSURANCE COMPANY (TRINIDAD) LIMITED is lost according to sworn declaration made by the Assured under this policy.

It is the intention of Colonial Life Insurance Company (Trinidad) Limited to issue a special policy in place of the said lost policy, in accordance with section 163 of the Insurance Act, 1980, unless objection is raised within one (1) month from the date hereof.

S. MARTIN
*Supervisor, Individual Insurance
and Annuities Department*

847

NOTICE is hereby given that Policy Number E0098823 on the life of PEARL LUCAS issued by COLONIAL LIFE INSURANCE COMPANY (TRINIDAD) LIMITED is lost according to sworn declaration made by the Assured under this policy.

It is the intention of Colonial Life Insurance Company (Trinidad) Limited to issue a special policy in place of the said lost policy, in accordance with section 163 of the Insurance Act, 1980, unless objection is raised within one (1) month from the date hereof.

S. MARTIN
*Supervisor, Individual Insurance
and Annuities Department*

848

SPECIAL LICENSING SESSIONS
(Liquor Licences Act, Chap. 84:10)

PORT-OF-SPAIN

NOTICE is hereby given that by lawful authority under the provisions of the Liquor Licences Act, Chap. 84:10, the Licensing Committee for the Licensing District of the County of St. George West, Port-of-Spain Area, has appointed THURSDAY THE 5TH DAY OF JUNE, 2003 at 1.00 o'clock in the afternoon at the Port-of-Spain Magistrates' Court as the day, hour and place at which a Special Session will be held to hear and determine the application of Henry Charles of Gymnasium Circular, Chaguaramas, for a Certificate authorizing him to carry on the business of a Spirit Retailer in respect of premises situate at Gymnasium Circular, Chaguaramas.

Dated this 16th day of May, 2003 at the Port-of-Spain Magistrates' Court.

E. PRINCE
*Secretary, Licensing Committee,
St. George West*

849

NOTICE is hereby given that by lawful authority under the provisions of the Liquor Licences Act, Chap. 84:10, the Licensing Committee for the Licensing District of the County of St. George West, Port-of-Spain Area, has appointed THURSDAY THE 12TH DAY OF JUNE, 2003 at 1.00 o'clock in the afternoon at the Port-of-Spain Magistrates' Court as the day, hour and place at which a Special Session will be held to hear and determine the application of Denise Kanhai of Good Session Drive, Patna Village, Diego Martin, for a Certificate authorizing her to carry on the business of a Spirit Grocer in respect of premises situate at Light Pole No. 76, Upper Rich Plain Road, Diego Martin.

Dated this 19th day of May, 2003 at the Port-of-Spain Magistrates' Court.

E. PRINCE
*Secretary, Licensing Committee,
St. George West*

850

TUNAPUNA

NOTICE is hereby given that by lawful authority under the provisions of the Liquor Licences Act, Chap. 84:10, the Licensing Committee for the Licensing District of the County of St. George East, Tunapuna Area, has appointed WEDNESDAY THE 28TH DAY OF MAY, 2003 at 9.00 o'clock in the forenoon at the Tunapuna Magistrate's First Court as the day, hour and place at which a Special Session will be held to hear and determine the application of Yvonne Baptiste of Jordan Street, El Dorado Village, Tacarigua, for a Certificate authorizing her to carry on the business of a Spirit Retailer in respect of premises situate at 272, Eastern Main Road, El Dorado Village.

Dated this 7th day of May, 2003 at the Tunapuna Magistrates' Court.

A. ALI
*Secretary, Licensing Committee,
St. George East*

851

SAN FERNANDO

NOTICE is hereby given that by lawful authority under the provisions of section 18(3) of the Liquor Licences Act, Chap. 84:10, the Licensing Committee for the Licensing District of the County of Victoria West, San Fernando Area, has appointed THURSDAY THE 5TH DAY OF JUNE, 2003 at 9.00 o'clock in the forenoon at the San Fernando Magistrates' Court as the day, hour and place at which a Special Session will be held to consider the application of Pramesh Seheult of 132, Charles

Street, Gasparillo, for a Certificate authorising him to obtain a Spirit Grocer's Licence in respect of premises situate at No. 215 Union Road, Marabella.

Dated this 12th day of May, 2003 at the San Fernando Magistrates' Court.

A. SOOKRAM
*Secretary Licensing Committee,
Victoria West*

852

SCARBOROUGH

NOTICE is hereby given that by lawful authority under the provisions of the Liquor Licences Act, Chap. 84:10(18), the Licensing Committee for the Licensing District of Tobago, Scarborough Area, has appointed THURSDAY THE 29TH DAY OF MAY, 2003 at 9.00 o'clock in the forenoon at the Scarborough Magistrate's Court as the day, hour and place at which a Special Session will be held to hear and determine the application of Nigel Hector of No. 13 Hamilton Street, Scarborough, Tobago, for a Certificate authorising him to carry on the business of a Spirit Retailer in respect of premises situate at Store Bay Local Road, Crown Point, Tobago.

Dated this 1st day of May, 2003 at the Scarborough Magistrate's Court.

G. PERSAD
*Secretary, Licensing Committee,
Tobago*

853

NOTICE is hereby given that by lawful authority under the provisions of the Liquor Licences Act, Chap. 84:10(18), the Licensing Committee for the Licensing District of Tobago, Scarborough Area, has appointed THURSDAY THE 29TH DAY OF MAY, 2003 at 9.00 o'clock in the forenoon at the Scarborough Magistrate's Court as the day, hour and place at which a Special Session will be held to hear and determine the application of Margarite Shanghie of Old Milford Road, Lambeau, Tobago, for a Certificate authorising her to carry on the business of a Special Restaurant in respect of premises situate at Old Milford Road, Lambeau, Tobago.

Dated this 1st day of May, 2003 at the Scarborough Magistrate's Court.

G. PERSAD
*Secretary, Licensing Committee,
Tobago*

854

TRANSFER OF LICENCE
(Liquor Licences Act, Chap. 84:10)

ST. GEORGE WEST

NOTICE is hereby given that a notification in writing has this 20th day of May, 2003, been lodged with me the undersigned Secretary of the Licensing Committee for the Licensing District of the County of St. George West, Port-of-Spain Area, by Kelvin John Soong, that it is his intention to apply to the Licensing Committee at the Port-of-Spain Magistrate's First Court on THURSDAY THE 29TH DAY OF MAY, 2003 at 1.00 o'clock in the afternoon for a transfer to him of the Special Restaurant Licence now held by Dr. Yvonne Morgan in respect of premises situate at No. 9 Keate Street, Port-of-Spain.

Dated this 20th day of May, 2003 at the Port-of-Spain Magistrates' Court.

E. PRINCE
*Secretary, Licensing Committee,
Port-of-Spain*